

SINGER

66-14,-15,-18,-24

INDEX

LIST
 OF
 PARTS



FOR FAMILY SHOPS

MACHINES
 Nos. 66-14, 66-15, 66-18
 and 66-24

THE SINGER MANUFACTURING COMPANY

	Page
Accessories.....	22
Attachment Set.....	22
Bias Gauge.....	23
Bobbin Winder.....	23
Braider.....	23
Chart for Series BY2 Motors for No. 66-24 Machine.....	17
Chart for Series BY6 Motors for No. 66-18 Machine.....	13
Chart for Series BY10 Motors for No. 66-24 Machine.....	20
Corder Row.....	23
Controllers (Convertible for Foot or Knee).....	15
Controllers (Foot).....	21
Controllers (Knee).....	13
Feed Cover Plates.....	23
Feller.....	24
Finger Guard.....	24
Hammers (Foot).....	24
Hemstitcher.....	24
Machine No. 66-14.....	5
Machine No. 66-15.....	10
Machine No. 66-18.....	12
Machine No. 66-24.....	16
Motor Parts for Series BY2 Motors.....	17
Motor Parts for Series BY6 Motors.....	13
Motor Parts for Series BY10 Motors.....	20
Needle Threader (Universal).....	24
Numerical List of Parts.....	29
Presser Feet.....	25
Presser Foot with Graduated Adjustable Guides.....	25
Quilter.....	26
Ruffler Shirring Plate (Universal).....	26
Special Attachments.....	27
Spotlight Lamp.....	22
Spotlight No. 195126.....	21
Under Braider.....	26

From the library of: Diamond Needle Corp.

INSTRUCTIONS FOR ORDERING

In ordering from this list, use ONLY the part NUMBER in the FIRST column.

The number stamped on a Sewing Machine Part is in every case the number of the single part only.

Every combination of parts sent out in such has its specific number, which, although not stamped on the parts, must be used when ordering the combination.

Each number always indicates the SAME PART in whatever list it appears, or for whatever machine.

The letters after some of the numbers indicate the style of finish only, as follows:

- A-Hardened, Polished, Nickel Plated and Buffed
- A.A-Buffed and Chromium Plated
- A.B-Hardened, Polished, Buffed and Chromium Plated
- A.C-Brown Baking Enamel Finish
- A.D-Gray Baking Enamel Finish
- A.E-Hardened, Bright Rumbled and Nickel Plated
- A.F-Hardened, Bright Rumbled, Nickel Plated, Bright Rumbled and Chromium Plated
- B-Polished, Nickel Plated and Buffed
- C-Hardened Only
- C.R-Hardened and Merlized
- D-Polished Only
- E-Soft, Not Polished
- F-Hardened and Polished
- F.J-Hardened, Polished and Nickel Plated
- G-Bright Rumbled and Nickel Plated
- H-Blued
- J-Nickel Plated Only
- K-Hardened and Nickel Plated
- L-Brass Plated
- M-Oxidized
- N-Japanned, Dull
- P-Japanned, Bright
- P.P-Wrinkle Finish
- R-Merlized
- S-Cadmium Plated
- T-Copper Plated
- T.A-Hardened, Polished, Copper and Nickel Plated and Buffed
- T.B-Copper and Nickel Plated and Polished
- T.J-Copper and Nickel Plated Only
- T.K-Hardened, Copper and Nickel Plated
- T.L-Copper and Brass Plated
- T.M-Copper Plated and Oxidized
- U-Zinc Plated
- V-Silver Plated
- W-Polished and Nickel Plated
- X-Black Oxide, for Iron and Steel
- X.C-Hardened and Black Oxide, for Iron or Steel
- Y-Black Nickel Plated Only
- Z-Chromium Plated
- Z.A-Hardened, Polished, Nickel Plated, Buffed and Chromium Plated
- Z.B-Polished, Nickel Plated, Buffed and Chromium Plated
- Z.C-Hardened and Chromium Plated
- Z.D-Polished and Chromium Plated
- Z.G-Bright Rumbled, Nickel Plated, Bright Rumbled and Chromium Plated
- Z.J-Nickel and Chromium Plated
- Z.T-Copper and Chromium Plated

These letters MUST BE USED when they appear in the list; and AFTER the number as in the list.

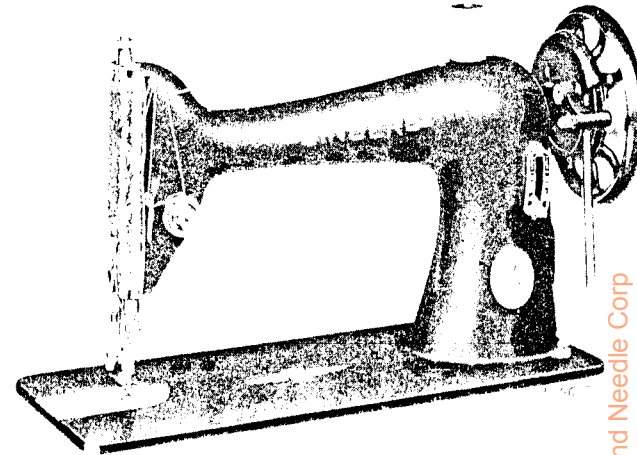
In this series:

- 1 to 1500, 50001 to 51500 and 140001 to 142000 are Screw Numbers
- 1501 to 1800 and 51501 to 51800 are Nut Numbers
- 1801 to 2000 and 51801 to 52000 are Roller Numbers
- 2001 to 50000 and 52001 to 140000 and 142001 to 190000 are Sewing Machine Parts, 190001 and upward are numbers of Electrical Parts.

The figures in the second column refer only to the plates, illustrating the parts, and are NOT TO BE USED in ordering.

Parts marked with an asterisk (*) are furnished only when repairs are made at factory.

LIST OF PARTS COMPLETE FOR



MACHINE No. 66-14

FOR FAMILY USE. OSCILLATING HOOK
BOBBIN CASE POSITION BRACKET HINGED,
TO THROW-OUT FOR EASY REMOVAL OF
THE BOBBIN CASE.

From the library of: Diamond Needle Corp

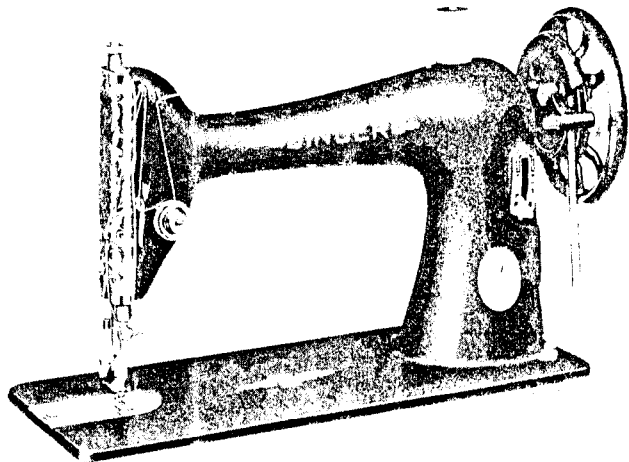
No.	Plate	Name
*32756PP	----	Arm with 15404 and two 15405.....
2002	9684	" Dowel Pin (2).....
32683	9682	" Oil Tube, for oiling Arm Shaft Slide Block.....
32676	9682	Arm Rock Shaft with 50571E.....
32682E	----	" " " 32676E with 1216C and 1520E
50571E	9682	" " " Adjusting Screw.....
8204	9682	" " " Center (upper).....
301C	9682	" " " Screw Center (lower).....
55516	----	" " " " " 301C with 1508E.....
1508E	9682	Arm Rock Shaft Screw Center (lower) Nut.
649E	9684	" Screw (3).....
32677	9682	" Shaft.....

INDEX

	Page
Accessories.....	22
Attachment Set.....	22
Bias Gauge.....	23
Bobbin Winder.....	23
Braider.....	23
Chart for Series BY2 Motors for No. 66-24 Machine.....	17
Chart for Series BY6 Motors for No. 66-18 Machine.....	13
Chart for Series BY10 Motors for No. 66-24 Machine.....	20
Corder Bow.....	23
Controllers (Convertible for Foot or Knee).....	15
Controllers (Foot).....	21
Controllers (Knee).....	18
Feed Cover Plates.....	23
Feller.....	24
Finger Guard.....	24
Hemmers (Foot).....	24
Hemstitcher.....	24
Machine No. 66-14.....	5
Machine No. 66-15.....	10
Machine No. 66-18.....	13
Machine No. 66-24.....	16
Motor Parts for Series BY2 Motors.....	17
Motor Parts for Series BY6 Motors.....	13
Motor Parts for Series BY10 Motors.....	20
Needle Threader (Universal).....	24
Numerical List of Parts.....	19
Presser Feet.....	25
Presser Foot with Graduated Adjustable Guides.....	25
Quilter.....	26
Ruffler Shirring Plate (Universal).....	26
Special Attachments.....	27
Spotlight Lamp.....	22
Spotlight No. 195126.....	21
Under Braider.....	26

No.	Plate	Name
32678	----	Arm Shaft 32677 with 32679 and 32680....
32681	----	" " 32678 with 32503 and 32517....
32503	9682	" " Bushing.....
443A	9682	" " " Set Screw.....
32679	9682	" " Slide Block (two pieces).....
32680	9682	" " " Retaining Clip....
125425	9682	" Side Cover.....
51224B	9682	" " " Thumb Screw.....
2007	9682	" Spool Pin.....
8879	9682	" " " Washer (cloth).....
15282	9682	Balance Wheel (spoked wheel) 2 1/4 in. pulley.....
*32770PP	----	Bed.....
256B	9682	Clamp Stop Motion Clamp Screw.....
248A	9682	" " " " Stop Screw.....
2020	9682	" " " " Washer.....
32618	9682	" " " Flanged Bushing.....
32639	----	" " " " 32618 with 256B.....
1148AL	9682	Clamp Stop Motion Flanged Bushing Set Screw.....
32619	----	Clamp Stop Motion complete, Nos. 248A, 256B, 1148AL, 2020 and 32618E....
32506	9685	Face Plate with 32630.....
107B	9685	" " Screw.....
32630	9685	" " Thread Guard with 125424....
125424	9685	" " " " Rivet.....
51224B	9685	" " Thumb Screw.....
32507	9684	Feed Bar with 1944.....
1944	9684	" " Roller and Stud.....
315C	9684	" " Screw Center (2).....
15445	----	" " " " 315C with 1519E (2)
1519E	9684	" " " " Nut (2).....
32562	9682	" Cam with 1285C.....
1285C	9682	" " Set Screw.....
32600	9685	" Dog, 12 teeth (16 teeth to the inch).....
1910	9685	Feed Dog Screw.....
32620	9682	" Forked Connection.....
32624	----	" " " 32620 with 1832....
1301C	9682	" " " Hinge Screw (ec- centric).....
1520	9682	Feed Forked Connection Hinge Screw Nut..
1832	9682	" " " Roller with 1085E
1085E	9682	" " " " Screw Stud
32510E	9684	" Raising Bar with 1944.....
1301C	9684	" " " Hinge Screw.....
1944	9684	" " " Roller and Stud.....
32688	9682	" Regulator.....
8217	9682	" " Friction Washer.....

LIST OF PARTS COMPLETE
FOR



MACHINE No. 66-14

FOR FAMILY USE. OSCILLATING HOOK
BOBBIN CASE POSITION BRACKET HINGED,
TO THROW-OUT FOR EASY REMOVAL OF
THE BOBBIN CASE.

No.	Plate	Name
*32756PP	----	Arm with 15404 and two 15405.....
2002	9684	" Dowel Pin (2).....
32683	9682	" Oil Tube, for oiling Arm Shaft Slide Block.....
32676	9682	Arm Rock Shaft with 50571E.....
32682E	----	" " " 32676E with 1216C and 1520D
50571E	9682	" " " Adjusting Screw.....
8204	9682	" " " Center (upper).....
301C	9682	" " " Screw Center (lower).....
55516	----	" " " " " 301C with 1508E.....
1508E	9682	Arm Rock Shaft Screw Center (lower) Nut.
649E	9684	" Screw (3).....
32677	9682	" Shaft.....

No.	Plate	Name
51295C	9682	Feed Regulator Hinge Screw.....
32581E	9684	" Rock Shaft.....
307C	9684	" " " Screw Center (2).....
56814	----	" " " " " 307C with 1513E (2).....
1513E	9684	Feed Rock Shaft Screw Center Nut (2)...
51045AL	9684	Machine Hinge Connection Set Screw (2).
32689	9686	Needle Bar with 32519.....
66558	9686	" " Bushing.....
66655	----	" " " 66558 with 665J and 66639.....
1133AL	9686	Needle Bar Bushing Set Screw.....
32690	----	" " Connecting Link.....
32691	9686	" " " " 32690 with 66559.....
32692	----	Needle Bar Connecting Link 32691 with 1130E and 32578.....
1130E	9686	Needle Bar Connecting Link Cap Screw...
66559	9686	" " " Stud with 1353AL..
1353AL	9686	" " " " Set Screw.....
32517	9682	" " Crank with 1036AL and 1134AL..
1134AL	9682	" " " Position Screw.....
21360	9686	" " Hole Plug.....
66639	9686	" " Thread Guard.....
665J	9686	" " " " Screw.....
66561	9686	" " Timing Gauge.....
2054	9686	" Clamp with 552C.....
552C	9686	" " Thumb Screw.....
32519	9686	" Stop Pin.....
32520	9687	Oscillating Hook.....
32626	----	" " 32520 with 32590.....
32656E	9684	" " Bell Crank.....
32657E	----	" " " " 32656E with 50561C.....
50561C	9684	Oscillating Hook Bell Crank Hinge Screw.
32522	9687	" " Bobbin.....
32590	9687	" " " Case with 1172F, 1173J and 32567.....
32659	9687	Oscillating Hook Bobbin Case Position Bracket.....
32660	9687	Oscillating Hook Bobbin Case Position Bracket complete, Nos. 662F, 32528, 32598, 32599, 32659, 32661 to 32664, 50579D and 50580E.....
32661	9687	Oscillating Hook Bobbin Case Cushion Spring.....
662F	9687	Oscillating Hook Bobbin Case Cushion Spring Screw.....
32662	9687	Oscillating Hook Bobbin Case Position Bracket Hinge Stud.....

From the Library of: Diamond Needle Corp

No.	Plate	Name
50611J	9687	Oscillating Hook Bobbin Case Position Bracket Hinge Stud Set Screw.....
32663	9687	Oscillating Hook Bobbin Case Position Bracket Latch.....
50579D	9687	Oscillating Hook Bobbin Case Position Bracket Latch Screw.....
32598	9687	Oscillating Hook Bobbin Case Position Bracket Oil Pad (felt).....
32599	9687	Oscillating Hook Bobbin Case Position Bracket Oil Pad Holder.....
1172F	9687	Oscillating Hook Bobbin Case Tension Regulating Screw.....
32567	9687	Oscillating Hook Bobbin Case Tension Spring.....
1173J	9687	Oscillating Hook Bobbin Case Tension Spring Screw.....
32664	9687	Oscillating Hook Bobbin Ejector.....
50580E	9687	" " " " Hinge Screw Stud.....
32528	9687	Oscillating Hook Bobbin Ejector Spring..
32529E	9687	" " Connecting Link.....
1132C	9687	" " " " Hinge Screw.....
32594E	9687	Oscillating Hook Crank with 1485AL.....
1485AL	9687	" " " " Clamping Screw
32531R	9684	Oscillating Hook Pitman
175E	9684	" " " " Adjusting Screw (2).....
44C	9684	Oscillating Hook Pitman Screw Stud (left)
1216C	9682	" " " " " (right).....
216C	9682	Oscillating Hook Pitman Screw Stud (right) Cap Screw.....
1520E	9682	Oscillating Hook Pitman Screw Stud (right) Nut.....
32569	9685	Oscillating Hook Slide.....
32570	9685	" " " " Friction Spring..
226E	9685	" " " " " Screw.....
32693	9686	Presser Bar.....
32535	9686	" " Guide Bracket with 453AL....
453AL	9686	" " " " Set Screw.....
66564	9686	" " Lifter.....
85E	9686	" " " " Hinge Screw.....
32675	9686	" " Spring.....
2070	9686	" " " " Washer.....
32666	9686	" Foot.....
51224B	9686	" " Thumb Screw.....
263J	9686	Pressure Regulating Thumb Screw.....
32621	9686	Slack Thread Regulator.....

No.	Plate	Name
219E	9686	Slack Thread Regulator Screw.....
32760	9682	Stitch Indicator Plate.....
140202S	9682	" " " " Screw (2).....
2102	9685	Tension Disc (2).....
1560B	9685	" " Regulating Thumb Nut.....
32572	9685	" " Releasing Disc.....
32573	9686	" " " " Lever.....
97E	9686	" " " " Hinge Screw.....
12329	9686	" " " " Spring.....
32574	9685	" " " " Pin.....
1274W	9685	" " Screw Stud.....
8238	9685	" " Spring.....
32654	9685	Tension complete, Nos. 1274W, 1560B, 8238, 32572, 32574 to 32576 and two 2102.....
26075	9686	Thread Cutter and Holder.....
8422	9685	" " Guard (head of arm).....
32578	9686	" " Take-up Crank.....
1036AL	9682	" " " " Set Screw.....
32541	9686	" " " " Lever.....
32542	-----	Thread Take-up Lever complete, Nos. 32541, 32543 and 32544.....
32696	-----	Thread Take-up Lever 32542 with 1131C and 32692.....
32543	9686	Thread Take-up Lever Hinge Stud.....
32544	9686	" " " " Link.....
1131C	9686	" " " " " Hinge Screw.....
32575	9685	" " " " Spring.....
32576	9685	" " " " " Regulator.....
453AL	9685	" " " " " " Set Screw
32602	9685	Throat Plate for 32600.....
691A	9685	" " " " " Screw (2).....
*15404	-----	Trade Mark.....
15405	-----	" " " " Rivet (2).....

From the Library of Diamond Needle Corp

MACHINE No. 66-15

THIS MACHINE IS THE SAME AS NO. 66-14 WITH
THE ADDITION OF THE FOLLOWING:

HAND ATTACHMENT PARTS

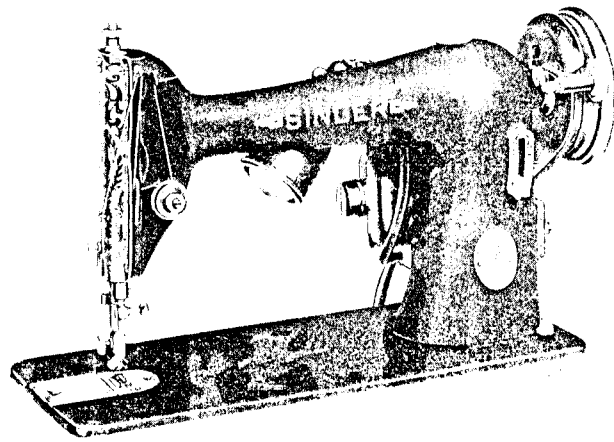
No.	Plate	Name
94050	9688	Hand Attachment Body.....
94027	9688	" " " Bracket.....
183E	9688	" " " " Screw (2)..
94028	9688	" " Crank Handle (wood)....
94029	9688	" " " " Spindle....
94030	9688	" " " " " "
		Flange (loose).....
94069	9688	Hand Attachment Crank Hinge Pin.....
94031	9688	" " " Lever.....
94032	9688	" " " " Lock Pin....
94033	9688	" " " " " "
		Head.....
8282 94034	9688	Hand Attachment Crank Lever Lock Pin Spring.....
94034	-----	Hand Attachment Crank complete, Nos. 94028 to 94031.....
94046	9688	Hand Attachment Driver.....
94036	9688	" " " Finger.....
94041	-----	" " " " 94036 with SS567 ^{1/2} , 94039 and 94040.....
94039	9688	Hand Attachment Driver Finger Driving Pad (rawhide).....
94040	9688	Hand Attachment Driver Finger Driving Pad Plate.....
SS567 ^{1/2}	9688	Hand Attachment Driver Finger Driving Pad and Plate Binding Screw.....
94044	9688	Hand Attachment Driver Finger Hinge Pin.
94037	9688	" " " " Latch....
SS565E	9688	" " " " " Screw Stud.....
94038	9688	Hand Attachment Driver Finger Latch Spring.....
94051	9688	Hand Attachment Gear with 8282, 94032 and 94033.....
94016	9688	Hand Attachment Gear Cover.....
399A	9688	" " " " Screw (2)...
SS599F	9688	" " " " Screw Stud.....

No.	Plate	Name
94048	9688	Hand Attachment Pinion.....
80028	9688	" " " Dowel Pin.....
SS600F	9688	" " " Screw Stud.....
94052	9688	Hand Attachment complete, Nos. SS565E, SS566C, SS599F, SS600F, 80028, 94016, 94027, 94034, 94037, 94038, 94041, 94044, 94046, 94048, 94050, 94051, 94069 and two each 183E and 399A.....
SS566C	9688	Hand Attachment Screw.....

Genuine Singer Needles should be used
in Singer Machines.
These Needles and their Containers
are marked with the
Company's Trade Mark "SIMANCO." 1

Needles in Containers marked
"For Singer Machines"
are not Singer made needles. 2

From the library of: Diamond Needle Corp

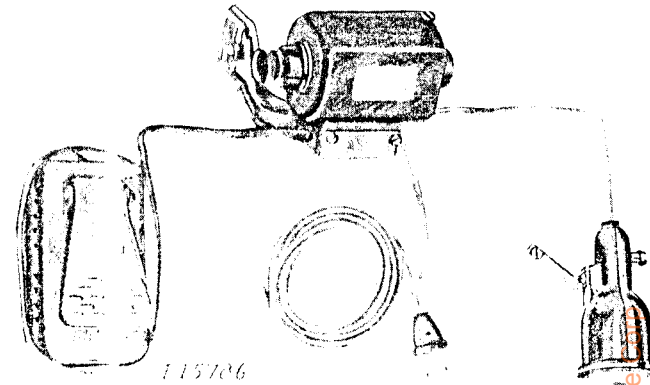


MACHINE No. 66-18

THIS MACHINE IS THE SAME AS THE NO. 66-14
WITH THE FOLLOWING EXCEPTION AND
FITTED WITH A SERIES BY6 MOTOR

No.	Plate	Name
32672	9683	Balance Wheel, 3 1/4 in. pulley, in place of 15282.....

CHART FOR SERIES BY6 MOTORS



FOR No. 66-18 MACHINE

Volts	Cycles	Amperes	Motor Catalog No.
32	D.C.	1.4	BY6-3
50	D.C. and 25 to 75 Cycles A.C.	1.1	BY6-5
95-100	D.C. and 25 to 75 Cycles A.C.	0.6	BY6-6
100-100	D.C. and 25 to 75 Cycles A.C.	0.6	BY6-7
115-125	D.C. and 25 to 75 Cycles A.C.	0.5	BY6-8
100-110	80 to 100 cycles A.C.	0.7	BY6-87

MOTOR PARTS

FOR SERIES BY6 MOTORS

No.	Plate	Name
		Armature complete for BY6-3 Motor.....
		Armature complete for BY6-5 Motor.....
		Armature complete for BY6-6 Motor.....
195151	9689	Armature complete for BY6-7 Motor.....
		Armature complete for BY6-8 Motor.....
195153	9689	" Shaft Bearing (commutator end).
195152	9689	" " " (pulley end).....

From the Library of the American Needle and Thread Manufacturers Association

No.	Plate	Name
701400	9689	Armature Shaft Thrust Washer (commutator end) 1/32" fibre.....
191097	9689	Armature Shaft Thrust Washer (pulley end) 1/64" fibre.....
191098	9689	Armature Shaft Thrust Washer (pulley end) peerless paper.....
193077	9689	Belt (moulded).....
190782	9689	Brush (carbon) (2).....
195155	9689	" Cap (moulded) (2).....
195204	9689	" " Tension Spring (2).....
195205	9689	" " " " Insulating Washer (2).....
190083	9689	Brush Spring (2).....
190059	9689	Commutator complete.....
193236	9689	Fan.....
		Field Coils complete for BY6-3 Motor....
		Field Coils complete for BY6-5 Motor....
		Field Coils complete for BY6-6 Motor....
195160	9689	Field Coils complete for BY6-7 Motor....
		Field Coils complete for BY6-8 Motor....
		Field Coils complete for BY6-87 Motor....
193771	-----	" Coil Insulation.....
190563	9689	" " Retainer (2).....
195154	9689	Field Core complete.....
194716	9689	Lead Cord (8 ft. long) complete, from Terminal Box to Socket.....
876363	9689	Lead Connector (large) (2).....
965105	9689	" " (small).....
194717	9689	" Strain Relief (3).....
195159	9689	Motor Bracket and Terminal Box Cover....
140354R	9689	" " " " " " Screw (2).....
195157	9689	Motor Housing (left side) for BY6-7 Motor.....
195156	9689	Motor Housing (right side).....
195158	9689	" " Snap Ring (2).....
190613	9689	" Lubricant (tube).....
140329CR	9689	" Screw.....
190058	9689	" " Retaining Washer.....
195164	9689	" " Washer.....
193231	9689	Pulley (moulded).....
51207AL	9689	" Position Screw.....

CONTROLLERS

CONVERTIBLE FOR FOOT OR KNEE CONTROL

FOR SERIES BY6 MOTORS

FOR ELECTRIC CABINET SET NO. 41

FOR NO. 66-18 MACHINE

No.	Plate	Name
194830	-----	Controller complete, convertible for Foot or Knee Control, for 30 to 55 volts, A.C. or D.C. Motor.....
194831	9690	Controller complete, convertible for Foot or Knee Control, for 95 to 145 volts, A.C. or D.C. Motor.....
196244	9690	Controller Holder with two wood screws 1/2 in. No. 5 R.H.....
194836	9690	Controller Lead, 39 1/2 in. long, from Controller to Terminal Box.....
194711	9690	Controller Lead Bushing (black fibre)...
194712	9690	" " " Clip.....

From the library of: Diamond Needle Corp.

Genuine Singer Needles should be used in Singer Machines. These Needles and their Containers are marked with the Company's Trade Mark "SIMANCO." 1

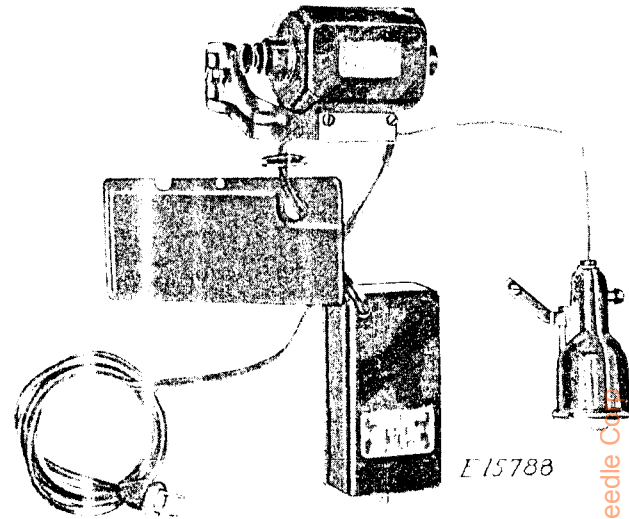
Needles in Containers marked "For Singer Machines" are not Singer made needles. 2

MACHINE No. 66-24

THIS MACHINE IS THE SAME AS THE NO. 66-14 WITH THE FOLLOWING EXCEPTION AND FITTED WITH A SERIES BY2 MOTOR WHEN USED ON PORTABLE CASE SET NO. 212 OR A SERIES BY10 MOTOR WHEN USED ON PORTABLE CASE SET NO. 194.

No.	Plate	Name
32672	9683	Balance Wheel, 3 1/4 in. pulley, in place of 15282.....

CHART FOR SERIES BY2 MOTORS



FOR PORTABLE CASE SET No. 212
FOR No. 66-24 MACHINE

Volts	Cycles	Amperes	Motor Catalog No.
32	D.C.	1.4	BY2-3
50	D.C. and 25 to 75 Cycles A.C.	1.1	BY2-5
95-100	D.C. and 25 to 75 Cycles A.C.	0.6	BY2-6
100-110	D.C. and 25 to 75 Cycles A.C.	0.6	BY2-7
115-125	D.C. and 25 to 75 Cycles A.C.	0.5	BY2-8
100-110	90 to 100 Cycles A.C.	0.7	BY2-87

MOTOR PARTS

FOR SERIES BY2 MOTORS

THE MOTOR PARTS FOR THE SERIES BY2 MOTORS ARE THE SAME AS FOR THE SERIES BY6 MOTORS WITH THE FOLLOWING EXCEPTION:

No.	Plate	Name
195167	-----	Motor Housing (left side) for BY2-7 Motor, in place of 195157, for BY6-7 Motor.....

Four the 113 113 113 113 Diamond Needle Catalog

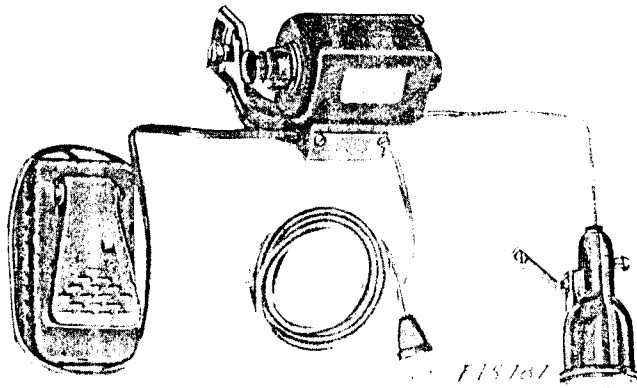
KNEE CONTROLLERS
FOR SERIES BY2 MOTORS
FOR PORTABLE CASE SET No. 212
FOR No. 66-24 MACHINE

No.	Plate	Name
195165	-----	Controller (moulded) complete, for 32 to 55 volts, A.C. or D.C. Motor, Nos. 194426, 194491, 195176, 195177 and two 140102R.....
195166	9691	Controller (moulded) complete, for 95 to 145 volts, A.C. or D.C. Motor, Nos. 194492, 195175 to 195177 and two 140102R.....
194322	9691	Controller Base.....
194491	-----	" " 194322 with 23258, 192211, 193908, 194422, 194479, 194774, 194775 and two each 140100R, 140103R, 194421, 194514 and 931090, for 195165.....
194492	-----	Controller Base 194322 with 23258, 192140, 193908, 194422, 194479, 194774, 194775 and two each 140100R, 140103R, 194421, 194514 and 931090, for 195166.....
50557R	9691	Controller Base Screw (3).....
194603	9691	" " Washer (3).....
194323	-----	" Cover.....
195175	9691	" " 194323 with 991163 and two 964317, for 195166.....
194426	-----	Controller Cover 194323 with 899287 and two 964317, for 195165.....
140102R	9691	Controller Cover Screw (2).....
195177	9691	Controller Lead complete.....
193908	9691	" " Clamp.....
194479	9691	" " " Insulation.....
195176	9691	" " " Insulation.....
192211	-----	" Resistance Unit for 32 to 55 volts.....
192140	9691	Controller Resistance Unit for 95 to 145 volts.....
194774	9691	Controller Resistance Unit Adjusting Nut
194775	9691	" " " " " "
		Lock Spring.....
194416	9691	Controller Resistance Unit Bell Crank...
194324	9691	" " " " " "
		Connecting Link.....
140101C	9691	Controller Resistance Unit Bell Crank Connecting Link Hinge Screw.....

No.	Plate	Name
1607J	9691	Controller Resistance Unit Bell Crank Connecting Link Hinge Screw Nut.....
51340C	9691	Controller Resistance Unit Bell Crank Hinge Screw.....
1607J	9691	Controller Resistance Unit Bell Crank Hinge Screw Nut.....
194421	9691	Controller Resistance Unit Bell Crank Spring (2).....
194402	9691	Controller Resistance Unit Bell Crank Spring Bracket.....
194422	-----	Controller Resistance Unit Bell Crank Spring Bracket 194402 with 51340C, 140101C, 194324, 194416, 194773 and two 1607J.....
140100R	9691	Controller Resistance Unit Bell Crank Spring Bracket Screw (2).....
194514	-----	Controller Resistance Unit Bell Crank Spring Bracket Screw Insulating Disc (2).....
194446	9692	Controller Resistance Unit Driver complete, Nos. 974F, 1700J, 192923, 194445 and two wood screws 5/8 in. No. R.H.....
192923	9692	Controller Resistance Unit Driver Bell Crank.....
974F	9692	Controller Resistance Unit Driver Bell Crank Hinge Screw.....
1700J	9692	Controller Resistance Unit Driver Bell Crank Hinge Screw Nut.....
194445	9692	Controller Resistance Unit Driver Crank Connecting Link.....
50557R	9692	Controller Resistance Unit Driver Screw (2).....
194603	9692	Controller Resistance Unit Driver Screw Washer (2).....
140103R	9691	Controller Resistance Unit Screw (2)...
931090	9691	" " " " Washer (asbestos) (2).....
23258	9691	Controller Resistance Unit Screw Washer (steel).....
193384	9691	Controller Resistance Unit Short Circuiting Contact (2).....
51327J	9691	Controller Resistance Unit Short Circuiting Contact Screw (2).....
194773	9691	Controller Resistance Unit Yoke.....
192973	9692	Knee Lever.....
*991163	-----	Name Plate for 195166.....
*899287	-----	" " " 195165.....
964317	-----	" " Drive Screw (2).....

At Your Service, Hardware Dept.

CHART FOR SERIES BY10 MOTORS



FOR PORTABLE CASE SET No. 194
FOR No. 66-24 MACHINE

Volts	Cycles	Amperes	Motor Catalog No.
32	D.C.	1.4	BY10-3
50	D.C. and 25 to 75 Cycles A.C.	1.1	BY10-5
95-100	D.C. and 25 to 75 Cycles A.C.	0.6	BY10-6
100-110	D.C. and 25 to 75 Cycles A.C.	0.6	BY10-7
115-125	D.C. and 25 to 75 Cycles A.C.	0.5	BY10-8
100-110	80 to 100 Cycles A.C.	0.7	BY10-87

MOTOR PARTS

FOR SERIES BY10 MOTORS

THE MOTOR PARTS FOR THE SERIES BY10 MOTORS
ARE THE SAME AS FOR THE SERIES BY6 MOTORS
WITH THE FOLLOWING EXCEPTION:

No.	Plate	Name
195180	-----	Motor Housing (left side) for BY10-7 Motor, in place of 195157, for BY6-7 Motor.....

CONTROLLERS (Foot)

FOR SERIES BY10 MOTORS
FOR PORTABLE CASE SET No. 194
FOR No. 66-24 MACHINE

No.	Plate	Name
195181	-----	Controller (foot) complete, for 32 to 55 volts, A.C. or D.C. Motor.....
195182	9693	Controller (foot) complete, for 95 to 145 volts, A.C. or D.C. Motor.....
195184	9693	Controller Lead.....
194717	9693	" " Strain Relief.....

SPOTLIGHT No. 195126

FOR Nos. 66-18 and 66-24 MACHINES

No.	Plate	Name
195127	9694	Spotlight Body (lower half).....
195128	9694	" " (upper half).....
195129	9694	" " Snap Ring (large).....
195130	9694	" " " (small).....
195131	9694	" Bracket.....
51463CR	9694	" Screw.....
195148	9694	" Lamp.....
195132	9694	" " Socket.....
195136	9694	" Lead.....
195135	-----	Spotlight Lead with Lamp Socket com- plete, Nos. 195132, 195136 and 195141
195133	9694	Spotlight Lens (clear glass).....
195134	9694	" " Tension Spring.....
195142	9694	" Switch Key.....
195143	9694	" " Snap Ring.....
195137	9694	" " Rotating Contact.....
195138	9694	" " " " Cam...
195139	9694	" " " " " In- sulator.....
195140	9694	Spotlight Switch Spring Contact (lamp side).....
195141	9694	Spotlight Switch Spring Contact (lead side).....
195126	9694	Spotlight (clear glass Lens) complete, Nos. 691R, 51463CR, 97359, 195127 to 195131, 195133 to 195135, 195137 to 195140, 195142, 195143 and 195148...

For the library of Diamond Needle Corp

No.	Plate	Name
691R	9694	Spotlight Screw.....
97359	9694	" " Retaining Washer.....

SPOTLIGHT LAMP

No.	Plate	Name
195148	9694	Spotlight Lamp.....

Note: When ordering No. 195148, state voltage required.

ACCESSORIES

No.	Plate	Name
120329	-----	Machine Cover.....
120862	9695	Oil Can, contents 1 1/3 fluid oz. (filled with household oil).....

ATTACHMENT SET

No.	Plate	Name
121461	9696	Binder Folder.....
121463	9696	" Foot.....
51104B	9696	" Screw.....
120565	9696	" " Washer.....
121464	9696	Binder complete, Nos. 51104B, 120565, 121461 and 121463.....
32522	9696	Bobbin (four).....
36865	9696	Edge Stitcher.....
35931	9696	Hemmer (adjustable).....
120842	9696	" (foot) 5/64 in. hem.....
-----	-----	Needles (six).....
121441	9696	Presser Foot (double toe) for gathering.....
25537	9696	Screw Driver (machine).....
120378	9696	" " (shuttle tension).....
8879	9696	Spool Pin Washer (cloth).....
121898	-----	Attachment Set, Nos. 8879, 25537, 25931, 36865, 120378, 120842, 121441, 121464, four 32522 and six needles.....
120598	9696	Ruffler for one, six and twelve stitch ruffling.....
121899	9696	Attachment Set complete, Nos. 120598 and 121898.....

BIAS GAUGE

No.	Plate	Name
25525	9695	Bias Gauge.....

BOBBIN WINDER

No.	Plate	Name
32761	9697	Bracket (belt cover).....
189B	9697	" Screw.....
32763	9697	Frame with Pulley and Spindle.....
50059J	9697	" Hinge Screw.....
45775	9697	" " " Friction Washer.....
15287	9697	Friction Ring (rubber).....
32766	9697	Bobbin Winder complete, Nos. 15287, 32761, 32763, 45775 and 50059J.....
32700	9697	Thread Guide.....
208J	9697	" " Screw.....

BRAIDER

No.	Plate	Name
25510	9698	Braider.....
289B	9698	" Thumb Screw.....

CORDER BOW FOR TOP CORDING

No.	Plate	Name
26399	9697	Corder (bow) complete.....
190J	9697	" Screw.....

FEED COVER PLATES

No.	Plate	Name
32622	9695	Feed Cover Plate (flat top) for art work
32589	9695	" " " (oval top) for art work

FELLER

No.	Plate	Name
36835	9698	Feller (foot).....

FINGER GUARD

No.	Plate	Name
121725	9698	Finger Guard.....

HEMMERS (Foot)

No.	Plate	Name
25904	9687	Hemmer (foot) 1/16 in. hem.....
36333	9687	" " 1/16 in. hem, for chiffon and silk.....
120842	9696	Hemmer (foot) 5/64 in. hem.....
25911	9687	" " 3/32 in. hem.....
25895	9687	" " 1/8 in. hem.....
35884	9698	" " 3/16 in. hem.....
25893	9698	" " 1/4 in. hem.....
36469	9687	" " for chiffon and silk (slotted for lace).....

HEMSTITCHER

No.	Plate	Name
120687	9698	Hemstitcher with Yielding Presser Plate.

NEEDLE THREADER (Universal)

No.	Plate	Name
121632	9695	Needle Threader (universal).....
121631	9695	" " Hook.....
140157J	9695	" " " Screw.....

PRESSER FOOT WITH GRADUATED
ADJUSTABLE GUIDES

No.	Plate	Name
121717	9695	Presser Foot with 36696.....
35002	9695	" " Extension.....
35003	9695	" " Graduated Adjustable Guide (long, left).....
35004	9695	Presser Foot Graduated Adjustable Guide (long, right).....
35005	9695	Presser Foot Graduated Adjustable Guide (short, right).....
35006	9695	Presser Foot Graduated Adjustable Guide (short, right) flush.....
35135	9695	Presser Foot Graduated Adjustable Guide Clamp.....
35206	9695	Presser Foot Graduated Adjustable Guide Clamp Lever.....
337J	9695	Presser Foot Graduated Adjustable Guide Clamp Screw.....
36696	9695	Presser Foot Graduated Adjustable Guide Clamp Steady Pin.....
121719	9695	Presser Foot with Extension and Gradu- ated Adjustable Guides complete, Nos. 337J, 35002 to 35006, 35135, 35206 and 121717.....

PRESSER FEET

No.	Plate	Name
15429	9698	Presser Foot (left toe) for stitching on edge and inserting cord.....
125035	9698	Presser Foot (right toe) for stitching on edge and inserting cord.....
28831	9687	Presser Foot for darning.....
121614	9698	" " with 51282J and 121615, for blind stitch braiding, for soutache braid.....
121615	9698	Presser Foot Braid Guide.....
Note: When ordering Nos. 121614 or 121615, send sample of braid for which it is required.		
51282J	9698	Presser Foot Braid Guide Screw.....

No.	Plate	Name
36058	9698	Presser Foot with 665B and 36059, for blind stitch cording, to turn small curves.....
36059	9698	Presser Foot Cord Guide.....
Note: When ordering Nos. 36058 or 36059, send sample of cord for which it is required.		
665B	9698	Presser Foot Cord Guide Screw.....
36067	9698	" " for braiding, for art work, for braid 1/16 in. to 3/16 in. wide.
Note: When ordering No. 36067, state the size or send a sample of the braid for which it is required.		
25978	9698	Presser Foot (single toe) for gathering.
171441	9698	" " (double toe) for gathering.

QUILTER

No.	Plate	Name
35932	9698	Quilter.....

RUFFLER SHIRRING PLATE (Universal)

No.	Plate	Name
121170	9697	Ruffler Shirring Plate (universal) with 51395W.....
51395W	9697	Ruffler Shirring Plate Thumb Screw.....

UNDER BRAIDER

No.	Plate	Name
121547	9695	Under Braider.....
25637	9695	" " Foot.....

SPECIAL ATTACHMENTS

FOR COMPONENT PARTS OF THESE ATTACHMENTS, REFER TO FORM I9385, LIST OF PARTS FOR SINGER FASHION AIDS.

No.	Plate	Name
121795	-----	Buttonhole Attachment complete.....
121034	-----	Darning Foot (spring) complete.....
26338	-----	Embroidery Attachment complete for one thread.....
35505	-----	Embroidery Attachment complete for two threads.....
121397	-----	Hemstitching and Picoting Attachment complete.....
121634	-----	Needle Threader and Seam Ripper complete.....
121655	-----	Singercraft Fagoter complete.....
121079	-----	Singercraft Guide complete.....
35985	-----	Tubular Trimming Attachment complete.....
121706	-----	Zigzag Attachment (adjustable) complete.....

NUMERICAL LIST OF PARTS

No.	Plate	Name
44C	9684	Oscillating Hook Pitman Screw Stud (left).....
85E	9686	Presser Bar Lifter Hinge Screw.....
97E	9686	Tension Releasing Lever Hinge Screw.....
107B	9685	Face Plate Screw.....
175E	9684	Oscillating Hook Pitman Adjusting Screw for 32531R (2).....
180B	9697	Bobbin Winder Bracket Screw.....
183E	9686	Hand Attachment Body Bracket Screw for 94052 (2).....
190F	9697	Order Screw.....
191C	9695	Feed Dog Screw.....
200F	9697	Bobbin Winder Thread Guide Screw.....
216C	9682	Oscillating Hook Pitman Screw Stud (right) Cap Screw.....
219E	9696	Slack Thread Regulator Screw.....
226E	9685	Oscillating Hook Slide Friction Spring Screw.....
249A	9682	Clamp Stop Motion Clamp Stop Screw for 32619.....
256B	9692	Clamp Stop Motion Clamp Screw for 32619 and 32639.....
283J	9686	Pressure Regulating Thumb Screw.....
289B	9698	Braider Thumb Screw.....
301C	9682	Arm Rock Shaft Screw Center (lower) for 55516.....
307C	9684	Feed Rock Shaft Screw Center for 56834 (2).....
315C	9684	Feed Bar Screw Center for 15445 (2)...
337J	9695	Presser Foot Graduated Adjustable Guide Clamp Screw for 121718.....
399A	9688	Hand Attachment Gear Cover Screw for 94052 (2).....
443A	9682	Arm Shaft Bushing Set Screw.....
453AL	9686	Presser Bar Guide Bracket Set Screw for 32535.....
453AL	9685	Thread Take-up Spring Regulator Set Screw.....
552C	9686	Needle Clamp Thumb Screw for 2054.....
33565E	9688	Hand Attachment Driver Finger Latch Screw Stud for 94052.....
33566C	9688	Hand Attachment Screw for 94052.....
33567E	9688	" " Driver Finger Driving Pad and Plate Binding Screw for 94041.....
33599F	9688	Hand Attachment Gear Screw Stud for 94052.....

OF PARTS
LIST
NUMERICAL

From the Library of Diabina Needle Corp

No.	Plate	Name
SS600F	9688	Hand Attachment Pinion Screw Stud for 94052.....
649E	9684	Arm Screw (3).....
662F	9687	Oscillating Hook Bobbin Case Cushion Spring Screw for 32660.....
665J	9686	Needle Bar Thread Guard Screw for 66655.....
665B	9698	Presser Foot Cord Guide Screw for 36058.....
691R	9694	Spotlight Screw for 195126.....
691A	9685	Throat Plate Screw (2).....
974F	9692	Controller Resistance Unit Driver Bell Crank Hinge Screw for 194446.....
1036AL	9682	Thread Take-up Crank Set Screw for 32517.....
1085E	9682	Feed Forked Connection Roller Screw Stud for 1832.....
1130E	9686	Needle Bar Connecting Link Cap Screw for 32692.....
1131C	9686	Thread Take-up Lever Link Hinge Screw for 32696.....
1132C	9687	Oscillating Hook Connecting Link Hinge Screw.....
1133AL	9686	Needle Bar Bushing Set Screw.....
1134AL	9682	" " Crank Position Screw for 32517.....
1148AL	9682	Clamp Stop Motion Flanged Bushing Set Screw for 32619.....
1172F	9687	Oscillating Hook Bobbin Case Tension Regulating Screw for 32590.....
1173J	9687	Oscillating Hook Bobbin Case Tension Spring Screw for 32590.....
1216C	9682	Oscillating Hook Pitman Screw Stud (right) for 32682E.....
1274W	9685	Tension Screw Stud for 32654.....
1285C	9682	Feed Cam Set Screw for 32562.....
1301C	9684	" Raising Bar Hinge Screw.....
1353AL	9686	Needle Bar Connecting Stud Set Screw for 66559.....
1381C	9682	Feed Forked Connection Hinge Screw (eccentric).....
1485AL	9687	Oscillating Hook Crank Clamping Screw for 32594E.....
1509E	9682	Arm Rock Shaft Screw Center (lower) Nut for 55516.....
1513E	9684	Feed Rock Shaft Screw Center Nut for 56814 (2).....
1519E	9684	Feed Bar Screw Center Nut for 15445 (3).....
1520E	9682	" Forked Connection Hinge Screw Nut.....
1520E	9682	Oscillating Hook Pitman Screw Stud (right) Nut for 32682E.....
1560B	9685	Tension Regulating Thumb Nut for 32654.....
1607J	9691	Controller Resistance Unit Bell Crank Connecting Link Hinge Screw Nut for 194422.....

No.	Plate	Name
1607J	9691	Controller Resistance Unit Bell Crank Hinge Screw Nut for 194422.....
1700J	9692	Controller Resistance Unit Driver Bell Crank Hinge Screw Nut for 194446.....
1832	9682	Feed Forked Connection Roller with 1085E, for 32624E.....
1944	9684	Feed Bar Roller and Stud for 3507E.....
1944	9684	" Raising Bar Roller and Stud for 32510E.....
2002	9684	Arm Dowel Pin (2).....
2007	9682	" Spool Pin.....
2020	9682	Clamp Stop Motion Clamp Washer for 32619.....
2054	9686	Needle Clamp with 552C.....
2070	9686	Presser Bar Spring Washer.....
2102	9685	Tension Disc for 32654 (2).....
8204	9682	Arm Rock Shaft Center (upper).....
8217	9682	Feed Regulator Friction Washer.....
8238	9685	Tension Spring for 32654.....
8282	9688	Hand Attachment Crank Lever Lock Pin Spring for 94051.....
8422	9685	Thread Guard (head of arm).....
8879	9682	Arm Spool Pin Washer (cloth).....
8879	9696	Spool Pin Washer (cloth) for 181898.....
12329	9686	Tension Releasing Lever Spring.....
15282	9682	Balance Wheel (spoked wheel) 2 1/4 in. pulley, for 66-14 and 66-15 Machines.....
15287	9697	Bobbin Winder Friction Ring (rubber) for 32766.....
*15404	----	Trade Mark for 32756PP.....
15405	----	" " Rivet for 32756PP (2).....
15429	9698	Presser Foot (left toe) for stitching on edge and inserting cord.....
15445	----	Feed Bar Screw Center 315C with 1519E (2).....
21360	9686	Needle Bar Hole Plug.....
23258	9691	Controller Resistance Unit Screw Washer (steel) for 194491 and 194492.....
25510	9698	Braider.....
25525	9695	Bias Gauge.....
25537	9696	Screw Driver (machine) for 121898.....
25637	9695	Under Braider Foot.....
25893	9698	Hemmer (foot) 1/4 in. hem.....
25895	9687	" " 1/8 in. hem.....
25904	9687	" " 1/16 in. hem.....
25911	9687	" " 3/32 in. hem.....
25978	9698	Presser Foot (single toe) for gathering.....
26075	9686	Thread Cutter and Holder.....
26399	9697	Corder (bow) complete.....
26538	----	Embroidery Attachment complete, for one thread.....

No.	Plate	Name
28831	9687	Presser Foot for darning.....
32503	9682	Arm Shaft Bushing for 32681.....
32506	9685	Face Plate with 32630.....
32507E	9684	Feed Bar with 1944.....
32510E	9684	" Raising Bar with 1944.....
32517	9682	Needle Bar Crank with 1036AL and 1134AL, for 32681.....
32519	9686	Needle Stop Pin for 32689.....
32520	9687	Oscillating Hook for 32626.....
32522	9696	Bobbin for 121898 (4).....
32522	9687	Oscillating Hook Bobbin.....
32528	9687	" " " Ejector Spring for 32660.....
32529E	9687	Oscillating Hook Connecting Link.....
32531R	9684	" " Pitman with two 125E....
32535	9686	Presser Bar Guide Bracket with 453AL....
32541	9686	Thread Take-up Lever for 32542.....
32542	-----	Thread Take-up Lever complete, for 32696, Nos. 32541, 32543 and 32544.....
32543	9686	Thread Take-up Lever Hinge Stud for 32542.....
32544	9686	Thread Take-up Lever Link for 32542.....
32562	9682	Feed Cam with 1285C.....
32567	9687	Oscillating Hook Bobbin Case Tension Spring for 32590.....
32569	9685	Oscillating Hook Slide.....
32570	9685	" " " Friction Spring..
32572	9685	Tension Releasing Disc for 32654.....
32573	9686	" " Lever.....
32574	9685	" " Pin for 32654.....
32575	9685	Thread Take-up Spring for 32654.....
32576	9685	" " " Regulator for 32654
32578	9686	" " Crank for 32692.....
32581E	9684	Feed Rock Shaft.....
32589	9695	" Cover Plate (oval top) for art work
32590	9687	Oscillating Hook Bobbin Case with 1172F, 1176J and 32567, for 32626.....
32594E	9687	Oscillating Hook Crank with 1485AL.....
32598	9687	" " Bobbin Case Position Bracket Oil Pad (felt) for 32660....
32599	9687	Oscillating Hook Bobbin Case Position Bracket Oil Pad Holder for 32660....
32600	9685	Feed Dog, 12 teeth (16 teeth to the inch) for 32602.....
32602	9685	Throat Plate for 32600.....
32618E	9682	Clamp Stop Motion Flanged Bushing for 32619 and 32639.....
32619	-----	Clamp Stop Motion complete, Nos. 248A, 256B, 1148AL, 2020 and 32618.....
32620E	9682	Feed Forked Connection for 32624E.....

No.	Plate	Name
32621	9686	Black Thread Regulator.....
32622	9695	Feed Cover Plate (flat top) for art work
32624E	-----	" Forked Connection 32620E with 1832.
32629	-----	Oscillating Hook 32520 with 32590.....
32630	9685	Face Plate Thread Guard with 125424, for 32506.....
32639	-----	Clamp Stop Motion Flanged Bushing 32618 with 256B.....
32651	9685	Tension complete, Nos. 1274W, 1560B, 8238, 32572, 32574 to 32576 and two 2102..
32656E	9684	Oscillating Hook Bell Crank for 32657E..
32657E	-----	" " " " 32656E with 50561C.....
32659	9687	Oscillating Hook Bobbin Case Position Bracket for 32660.....
32660	9687	Oscillating Hook Bobbin Case Position Bracket complete, Nos. 602F, 32528, 32598, 32599, 32659, 32661 to 32664, 50570D and 50580E.....
32661	9687	Oscillating Hook Bobbin Case Cushion Spring for 32660.....
32662	9687	Oscillating Hook Bobbin Case Position Bracket Hinge Stud for 32660.....
32663	9687	Oscillating Hook Bobbin Case Position Bracket Latch for 32660.....
32664	9687	Oscillating Hook Bobbin Ejector for 32660.....
32666	9686	Presser Foot.....
32672	9683	Balance Wheel, 3 1/4 in. pulley, for 66-18 and 66-24 Machines.....
32674	9686	Presser Bar Spring.....
32677E	9682	Arm Rock Shaft with 50571E, for 32682E..
32677	9682	" Shaft for 32678.....
32679	-----	" " 32677 with 32679 and 32680 for 32681.....
32679	9682	Arm Shaft Slide Block (two pieces) for 32678.....
32680	9682	Arm Shaft Slide Block Retaining Clip for 32678.....
32681	-----	Arm Shaft 32678 with 32503 and 32517....
32682E	-----	" Rock Shaft 32676E with 1216C and 1520E.....
32683	9682	Arm Oil Tube, for oiling Arm Shaft Slide Block.....
32684	9682	Feed Regulator.....
32689	9686	Needle Bar with 32519.....
32690	-----	" " Connecting Link for 32691....
32691	9686	" " " " 32690 with 6655Q, for 32692.....
32692	-----	Needle Bar Connecting Link 32691 with 1130E and 32578, for 32696.....

From the library of: Diamond Needle Co.

No.	Plate	Name
32693	9686	Presser Bar.....
32696	-----	Thread Take-up Lever 32542 with 1131C and 32692.....
32700	9697	Bobbin Winder Thread Guide.....
*32756PP	-----	Arm with 15404 and two 15405.....
32760	9682	Stitch Indicator Plate.....
32761	9697	Bobbin Winder Bracket (belt cover) for 32766.....
32763	9697	Bobbin Winder Frame with Pulley and Spindle for 32766.....
32766	9697	Bobbin Winder complete, Nos. 15287, 32761, 32763, 45775 and 50059J.....
*32770PP	-----	Bed.....
35002	9695	Presser Foot Extension for 121718.....
35003	9695	" " Graduated Adjustable Guide (long, left) for 121718.....
35004	9695	Presser Foot Graduated Adjustable Guide (long, right) for 121718.....
35005	9695	Presser Foot Graduated Adjustable Guide (short, right) for 121718.....
35006	9695	Presser Foot Graduated Adjustable Guide (short, right) flush, for 121718....
35135	9695	Presser Foot Graduated Adjustable Guide Clamp for 121718.....
35206	9695	Presser Foot Graduated Adjustable Guide Clamp Lever for 121718.....
35505	-----	Embroidery Attachment complete for two threads.....
35884	9698	Hemmer (foot) 3/16 in. hem.....
35931	9696	" (adjustable) for 121898.....
35932	9698	Quilter.....
35985	-----	Tubular Trimming Attachment complete....
36058	9698	Presser Foot with 665B and 36059, for blind stitch cording, to turn small curves.....
36059	9698	Presser Foot Cord Guide for 36058.....
36067	9698	" " for braiding, for art work, for braid 1/16 in. to 3/16 in. wide.
36333	9687	Hemmer (foot) 1/16 in. hem, for chiffon and silk.....
36469	9687	Hemmer (foot) for chiffon and silk (slotted for lace).....
36696	9695	Presser Foot Graduated Adjustable Guide Clamp Steady Pin for 121717.....
36835	9698	Feller (foot).....
36865	9696	Edge Stitcher for 121898.....
45775	9697	Bobbin Winder Frame Hinge Screw Friction Washer for 32766.....
50059J	9697	Bobbin Winder Frame Hinge Screw for 32766.....

No.	Plate	Name
50557R	9691	Controller Base Screw for Portable Case Set No. 212 (3).....
50557R	9692	Controller Resistance Unit Driver Screw for Portable Case Set No. 212 (2)..
50561C	9684	Oscillating Hook Bell Crank Hinge Screw for 32657E.....
50571E	9682	Arm Rock Shaft Adjusting Screw for 32676E.....
50579D	9687	Oscillating Hook Bobbin Case Position Bracket Latch Screw for 32660.....
50580E	9687	Oscillating Hook Bobbin Ejector Hinge Screw Stud for 32660.....
50611J	9687	Oscillating Hook Bobbin Case Position Bracket Hinge Stud Set Screw.....
51045AL	9684	Machine Hinge Connection Set Screw (2).
51101B	9696	Binder Screw for 121464.....
51207AL	9689	Pulley Position Screw for BY2, BYC and BY10 Motors.....
51224B	9682	Arm Side Cover Thumb Screw.....
51224B	9685	Face Plate Thumb Screw.....
51224B	9686	Presser Foot Thumb Screw.....
51282J	9698	" " Braid Guide Screw for 121614.....
51295C	9682	Feed Regulator Hinge Screw.....
51327J	9691	Controller Resistance Unit Short Cir- cutting Contact Screw for 192140 and 192211 (2).....
51340C	9691	Controller Resistance Unit Bell Crank Hinge Screw for 194422.....
51395W	9697	Ruffler Shirring Plate Thumb Screw for 121170.....
514630R	9694	Spotlight Bracket Screw for 195126.....
55516	-----	Arm Rock Shaft Screw Center (lower) 301C with 1508E.....
56814	-----	Feed Rock Shaft Screw Center 307C with 1513E (2).....
66558	9686	Needle Bar Bushing for 66655.....
66559	9686	" " Connecting Stud with 1343AL, for 32691.....
66561	9686	Needle Bar Timing Gauge.....
66564	9686	Presser Bar Lifter.....
66639	9686	Needle Bar Thread Guard for 66655.....
66655	-----	" " Bushing 66558 with 665J and 66639.....
80028	9688	Hand Attachment Pinion Dowel Pin for 94052.....
94016	9688	Hand Attachment Gear Cover for 94052....
94027	9688	" " Body Bracket for 94052..
94028	9688	" " Crank Handle (wood) for 94034.....

No.	Plate	Name
94029	9688	Hand Attachment Crank Handle Spindle for 94034.....
94030	9688	Hand Attachment Crank Handle Spindle Flange (loose) for 94034.....
94031	9688	Hand Attachment Crank Lever for 94031....
94032	9688	" " " " Lock Pin for 94051.....
94033	9688	Hand Attachment Crank Lever Lock Pin Head for 94051.....
94034	-----	Hand Attachment Crank complete, for 94052, Nos. 94028 to 94031.....
94036	9688	Hand Attachment Driver Finger for 94041.
94037	9688	" " " " Latch for 94052.....
94038	9688	Hand Attachment Driver Finger Latch Spring for 94052.....
94039	9688	Hand Attachment Driver Finger Driving Pad (rawhide) for 94041.....
94040	9688	Hand Attachment Driver Finger Driving Pad Plate for 94041.....
94041	-----	Hand Attachment Driver Finger 94036 with 33567E, 94039 and 94040, for 94052..
94044	9688	Hand Attachment Driver Finger Hinge Pin for 94052.....
94046	9688	Hand Attachment Driver for 94052.....
94048	9688	" " Pinion for 94052.....
94050	9688	" " Body for 94052.....
94051	9688	" " Gear with 8282, 94033 and 94033, for 94052.....
94052	9688	Hand Attachment complete, for 66-15 Machine, Nos. 33565E, 33566E, 33567E, 33600E, 30028, 94016, 94027, 94034, 94037, 94038, 94041, 94044, 94046, 94048, 94050, 94051, 94059 and two each 335E and 339A.....
94069	9688	Hand Attachment Crank Hinge Pin for 94052.....
97359	9694	Spotlight Screw Retaining Washer for 195126.....
120329	-----	Machine Cover (Accessories).....
120378	9696	Screw Driver (shuttle tension) for 121898.....
120565	9696	Binder Screw Washer for 121464.....
120598	9696	Ruffler for one, six and twelve stitch ruffling, for 121898.....
120687	9698	Hemstitcher with Yielding Presser Plate.
120842	9696	Hemmer (foot) 5/64 in. hem, for 121898..
120862	9695	Oil Can, contents 1 1/8 fluid oz. (filled with household oil) Accessories....
121079	-----	Singercraft Guide complete.....

No.	Plate	Name
121094	-----	Darning Foot (spring) complete.....
121170	9697	Ruffler Shirring Plate (universal) with 51395W.....
121335	-----	Singercraft Fagoter complete.....
121387	-----	Hemstitching and Picoting Attachment complete.....
121441	9696	Presser Foot (double toe) for gathering, for 121898.....
121461	9696	Binder Folder for 121464.....
121463	9696	" Foot for 121464.....
121464	9696	Binder complete, for 121898, Nos. 51104B, 120565, 121461 and 121463.....
121547	9695	Under Braider.....
121614	9698	Presser Foot with 51282J and 121618, for blind stitch braiding, for soutache braid.....
121615	9698	Presser Foot Braid Guide for 121614.....
121631	9695	Needle Threader Hook for 121632.....
121632	9695	Needle Threader (universal).....
121634	-----	Needle Threader and Seam Ripper complete
121706	-----	Zigzag Attachment (adjustable) complete
121717	9695	Presser Foot with 36696, for 121717.....
121718	9695	Presser Foot with Extension and Graduated Adjustable Guides complete, Nos. 337J, 35002 to 35006, 35435, 35200 and 121717.....
121725	9698	Finger Guard.....
121795	-----	Buttonhole Attachment complete.....
121898	-----	Attachment Set, for 121899, Nos. 8079, 25537, 35931, 36865, 120378, 120842, 121441, 121464, four 32522 and six needles.....
121899	9696	Attachment Set complete, Nos. 120598 and 121898.....
125035	9698	Presser Foot (right toe) for stitching on edge and inserting cord.....
125424	9682	Face Plate Thread Guard Rivet for 30630.
136244	9690	Arm Side Cover.....
140100R	9691	Controller Holder with two wood screws 1/2 in. No. 5 R.H., for 194830 and 194831, for Electric Cabinet Set No. 41.....
140101C	9691	Controller Resistance Unit Bell Crank Spring Bracket Screw for 194491 and 194492 (2).....
140102R	9691	Controller Resistance Unit Bell Crank Connecting Link Hinge Screw for 194482.....
		Controller Cover Screw for 195165 and 195166 (2).....

From the library of: Diamond Needle Corp.

No.	Plate	Name
140103R	9691	Controller Resistance Unit Screw for 194491 and 194492 (2).....
140157J	9695	Needle Threader Hook Screw for 141632...
140202S	9682	Stitch Indicator Plate Screw (2).....
140329CR	9689	Motor Screw for BY2, BY6 and BY10 Motors
140354R	9689	" Bracket and Terminal Box Cover Screw for BY2, BY6 and BY10 Motors (2)...
190058	9689	Motor Screw Retaining Washer for BY2, BY6 and BY10 Motors.....
190059	9689	Commutator complete, for BY2, BY6 and BY10 Motors.....
190083	9689	Brush Spring for BY2, BY6 and BY10 Motors (2).....
190563	9689	Field Coil Retainer for BY2, BY6 and BY10 Motors (2).....
190613	9689	Motor Lubricant (tube) for BY2, BY6 and BY10 Motors.....
190782	9689	Brush (carbon) for BY2, BY6 and BY10 Motors (2).....
191097	9689	Armature Shaft Thrust Washer (pulley end) 1/64" fibre, for BY2, BY6 and BY10 Motors.....
191098	9689	Armature Shaft Thrust Washer (pulley end) peerless paper, for BY2, BY6 and BY10 Motors.....
192140	9691	Controller Resistance Unit for 95 to 145 volts, for 194492.....
192211	-----	Controller Resistance Unit for 32 to 55 volts, for 194491.....
192923	9692	Controller Resistance Unit Driver Bell Crank for 194446.....
192978	9692	Knee Lever for Portable Case Set No. 212
193077	9689	Belt (moulded) for BY2, BY6 and BY10 Motors.....
193231	9689	Pulley (moulded) for BY2, BY6 and BY10 Motors.....
193236	9689	Fan for BY2, BY6 and BY10 Motors.....
193384	9691	Controller Resistance Unit Short Circuiting Contact for 192140 and 192211 (2).....
193771	-----	Field Coil Insulation for BY2, BY6 and BY10 Motors.....
193908	9691	Controller Lead Clamp for 194491 and 194492.....
194322	9691	Controller Base for 194491 and 194492...
194323	-----	" Cover for 194426 and 194425..
194324	9691	" Resistance Unit Bell Crank Connecting Link for 194492.....
194402	9691	Controller Resistance Unit Bell Crank Spring Bracket for 194422.....

No.	Plate	Name
194416	9691	Controller Resistance Unit Bell Crank for 194422.....
194421	9691	Controller Resistance Unit Bell Crank Spring for 194491 and 194492 (2)...
194422	-----	Controller Resistance Unit Bell Crank Spring Bracket 194402 with 51340C, 140101C, 194324, 194416, 194773 and two 1607J, for 194491 and 194492.....
194426	-----	Controller Cover 194323 with 899287 and two 964317, for 195165.....
194445	9692	Controller Resistance Unit Driver Crank Connecting Link for 194446.....
194446	9692	Controller Resistance Unit Driver complete, for Portable Case Set No. 212, Nos. 974F, 1700J, 192923, 194445 and two wood screws 5/8 in. No. 8 R.H.....
194479	9691	Controller Lead Clamp Insulation for 194491 and 194492.....
194491	-----	Controller Base 194322 with 23258, 192211, 193908, 194422, 194479, 194774, 194775 and two each 140100R, 140103R, 194421, 194514 and 931090, for 195165
194492	-----	Controller Base 194322 with 23258, 192140, 193908, 194422, 194479, 194774, 194775 and two each 140100R, 140103R, 194421, 194514 and 931090, for 195166
194514	-----	Controller Resistance Unit Bell Crank Spring Bracket Screw Insulating Disc for 194491 and 194492 (2).....
194603	9691	Controller Base Screw Washer, for Portable Case Set No. 212 (3).....
194603	9692	Controller Resistance Unit Driver Screw Washer for Portable Case Set No. 212 (2).....
194711	9690	Controller Lead Bushing (black fibre) for BY6 Motor, for 66-18 Machine, for Electric Cabinet Set No. 41.....
194712	9690	Controller Lead Bushing Clip for BY6 Motor, for 66-18 Machine, for Electric Cabinet Set No. 41.....
194716	9689	Lead Cord (8 ft. long) complete, from Terminal Box to Socket, for BY2, BY6 and BY10 Motors.....
194717	9689	Lead Strain Relief for BY2, BY6 and BY10 Motors (3).....
194773	9691	Controller Resistance Unit Yoke for 194422.....
194774	9691	Controller Resistance Unit Adjusting Nut for 194491 and 194492.....
194775	9691	Controller Resistance Unit Adjusting Nut Lock Spring for 194491 and 194492...

From the Library of the National Archives and Records Administration

No.	Plate	Name
194830	-----	Controller complete, convertible for Foot or Knee Control, for 32 to 55 volts, A.C. or D.C. Motor, for BY6 Motor, for 66-18 Machine, for Electric Cabinet Set No. 41.....
194831	9690	Controller complete, convertible for Foot or Knee Control, for 95 to 145 volts, A.C. or D.C. Motor, for BY6 Motor, for 66-18 Machine, for Electric Cabinet Set No. 41.....
194836	9690	Controller Lead, 39 1/2 in. long, from Controller to Terminal Box, for 194830 and 194831.....
195126	9694	Spotlight (clear glass Lens) complete, for 66-18 and 66-24 Machines, Nos. 691R, 514634R, 97359, 195127 to 195131, 195133 to 195135, 195137 to 195140, 195142, 195143 and 195148.....
195127	9694	Spotlight Body (lower half) for 195126..
195128	9694	" " (upper half) for 195126..
195129	9694	" " Snap Ring (large) for 195126.....
195130	9694	Spotlight Body Snap Ring (small) for 195126.....
195131	9694	Spotlight Bracket for 195126.....
195132	9694	" Lamp Socket for 195126.....
195133	9694	" Lens (clear glass) for 195126.....
195134	9694	" " Tension Spring for 195126.....
195135	-----	Spotlight Lead with Lamp Socket complete, for 195126, Nos. 195132, 195136 and 195141.....
195136	9694	Spotlight Lead for 195135.....
195137	9694	" Switch Rotating Contact for 195126.....
195138	9694	Spotlight Switch Rotating Contact Cam for 195126.....
195139	9694	Spotlight Switch Rotating Contact Cam Insulator for 195126.....
195140	9694	Spotlight Switch Spring Contact (lamp side) for 195126.....
195141	9694	Spotlight Switch Spring Contact (lead side) for 195135.....
195142	9694	Spotlight Switch Key for 195126.....
195143	9694	" " Snap Ring for 195126.....
195148	9694	Spotlight Lamp for 195126.....
195151	9689	Armature complete, for BY2-7, BY6-7 and BY10-7 Motors.....
195152	9689	Armature Shaft Bearing (pulley end) for BY2, BY6 and BY10 Motors.....

No.	Plate	Name
195153	9689	Armature Shaft Bearing (commutator end) for BY2, BY6 and BY10 Motors.....
195154	9689	Field Core complete for BY2, BY6 and BY10 Motors.....
195155	9689	Brush Cap (moulded) for BY2, BY6 and BY10 Motors (2).....
195156	9689	Motor Housing (right side) for BY2, BY6 and BY10 Motors.....
195157	9689	Motor Housing (left side) for BY6-7 Motor.....
195158	9689	Motor Housing Snap Ring for BY2, BY6 and BY10 Motors (2).....
195159	9689	Motor Bracket and Terminal Box Cover for BY2, BY6 and BY10 Motors.....
195160	9689	Field Coils complete, for BY2-7, BY6-7 and BY10-7 Motors.....
195164	9689	Motor Screw Washer for BY2, BY6 and BY10 Motors.....
195165	-----	Controller (moulded) complete, for 32 to 55 volts, A.C. or D.C. Motor, for BY2 Motors, for Portable Case Set No. 212, for 66-24 Machine, Nos. 194426, 194491, 195176, 195177 and two 140102R.....
195166	9691	Controller (moulded) complete, for 95 to 145 volts, A.C. or D.C. Motor, for BY2 Motors, for Portable Case Set No. 212, for 66-24 Machine, Nos. 194492, 195175 to 195177 and two 140102R.....
195167	-----	Motor Housing (left side) for BY2-7 Motor.....
195175	9691	Controller Cover 194323 with 991163 and two 964317, for 195166.....
195176	9691	Controller Lead Insulation for 195165 and 195166.....
195177	9691	Controller Lead complete, for 195165 and 195166.....
195180	-----	Motor Housing (left side) for BY10-7 Motor.....
195181	-----	Controller (foot) complete, for 32 to 55 volts, A.C. or D.C. Motor, for BY10 Motors, for Portable Case Set No. 194, for 66-24 Machine.....
195182	9693	Controller (foot) complete, for 95 to 145 volts, A.C. or D.C. Motor, for BY10 Motors, for Portable Case Set No. 194, for 66-24 Machine.....
195184	9693	Controller Lead for 195181 and 195182...
195204	9689	Brush Cap Tension Spring for BY2, BY6 and BY10 Motors (2).....

From the Library of the National Archives and Records Administration

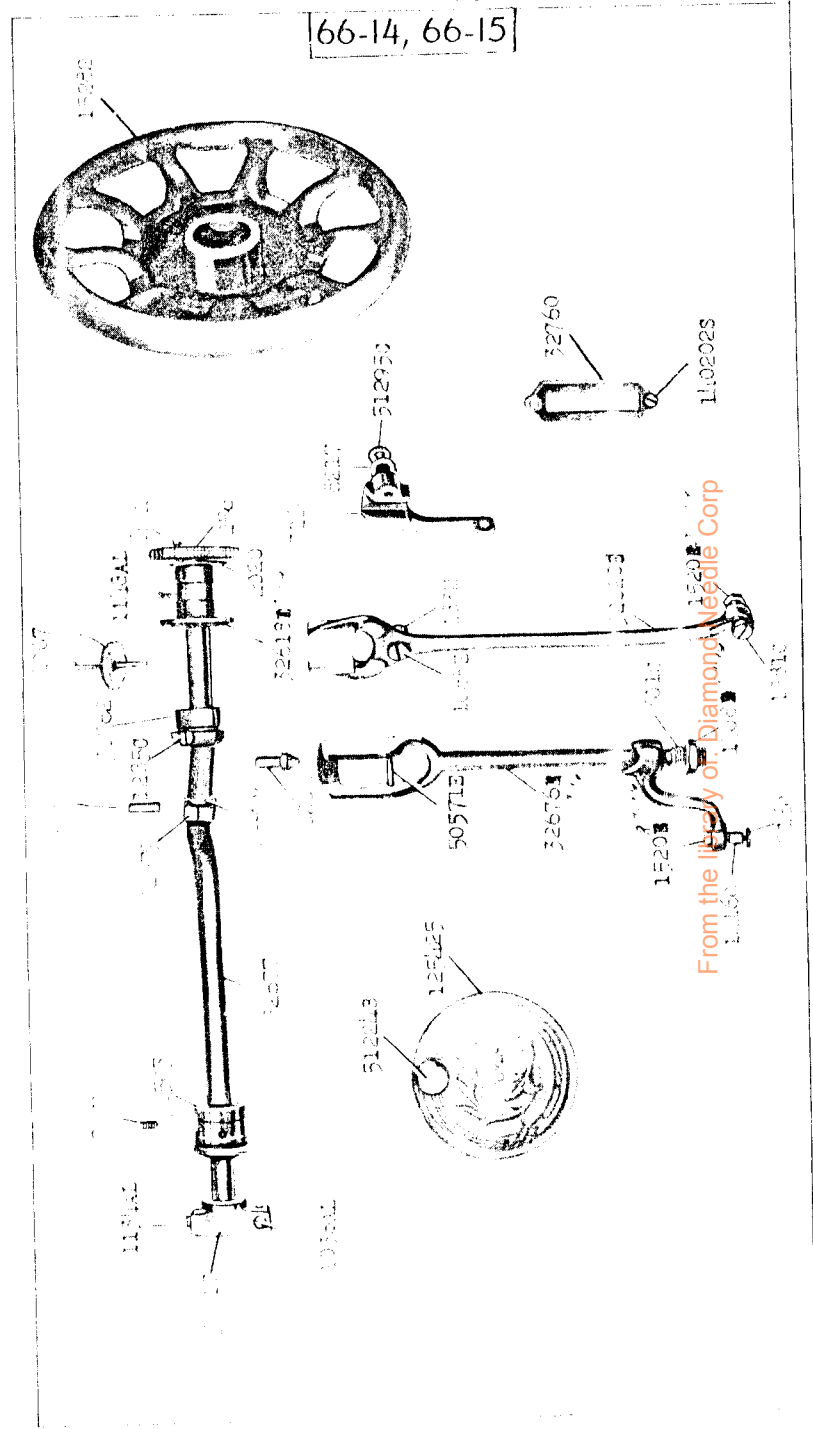
NUMERICAL LIST OF PARTS

No.	Plate	Name
195205	9689	Brush Cap Tension Spring Insulating Washer for BY2, BY6 and BY10 Motors (2).....
701400	9689	Armature Shaft Thrust Washer (commutator end) 1/32 in. fibre, for BY2, BY6 and BY10 Motors.....
876363	9689	Lead Connector (large) for BY2, BY6 and BY10 Motors (2).....
*899287	-----	Controller Name Plate for 195165.....
931090	9691	" Resistance Unit Screw Washer (asbestos) for 194491 and 194492 (2)
964317	-----	Controller Name Plate Drive Screw for 194426 and 195175 (2).....
965105	9689	Lead Connector (small) for BY2, BY6 and BY10 Motors.....
*991163	-----	Controller Name Plate for 195166.....

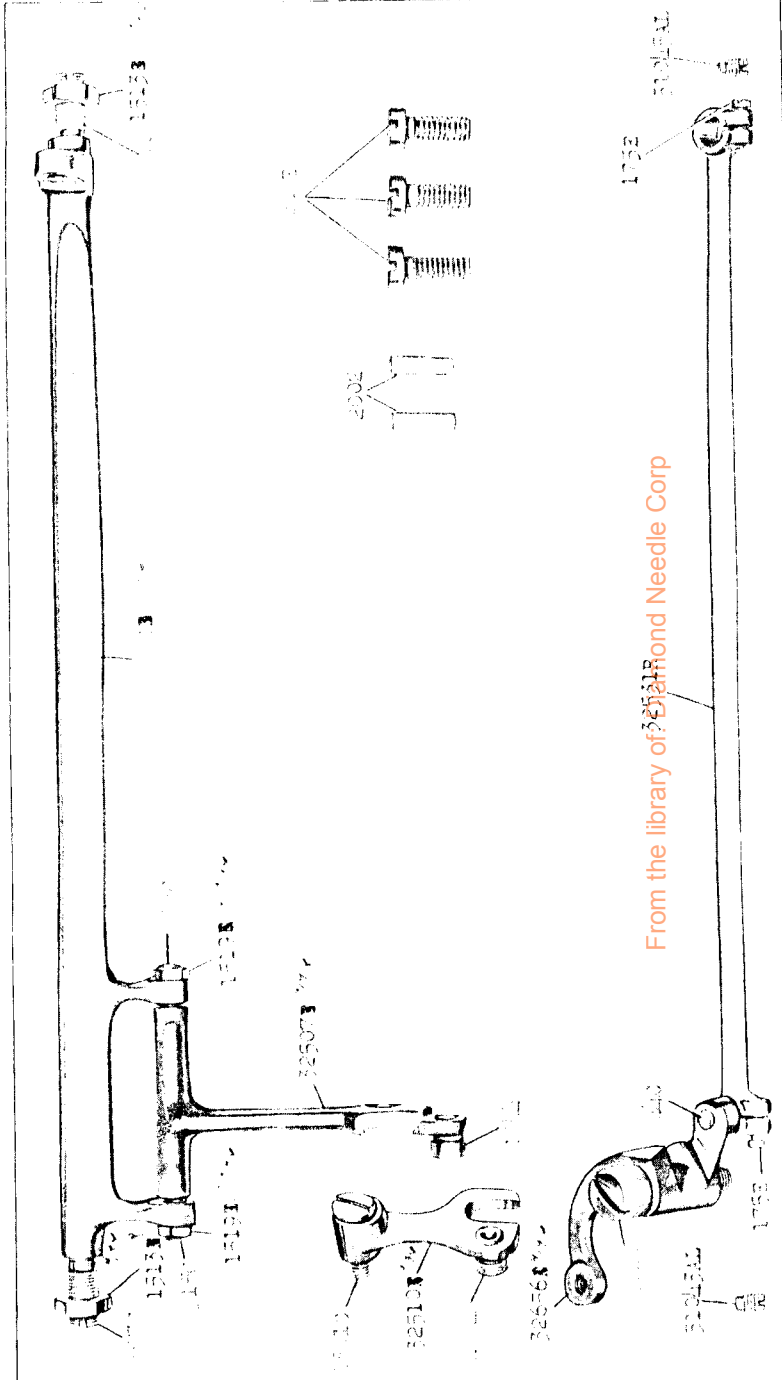
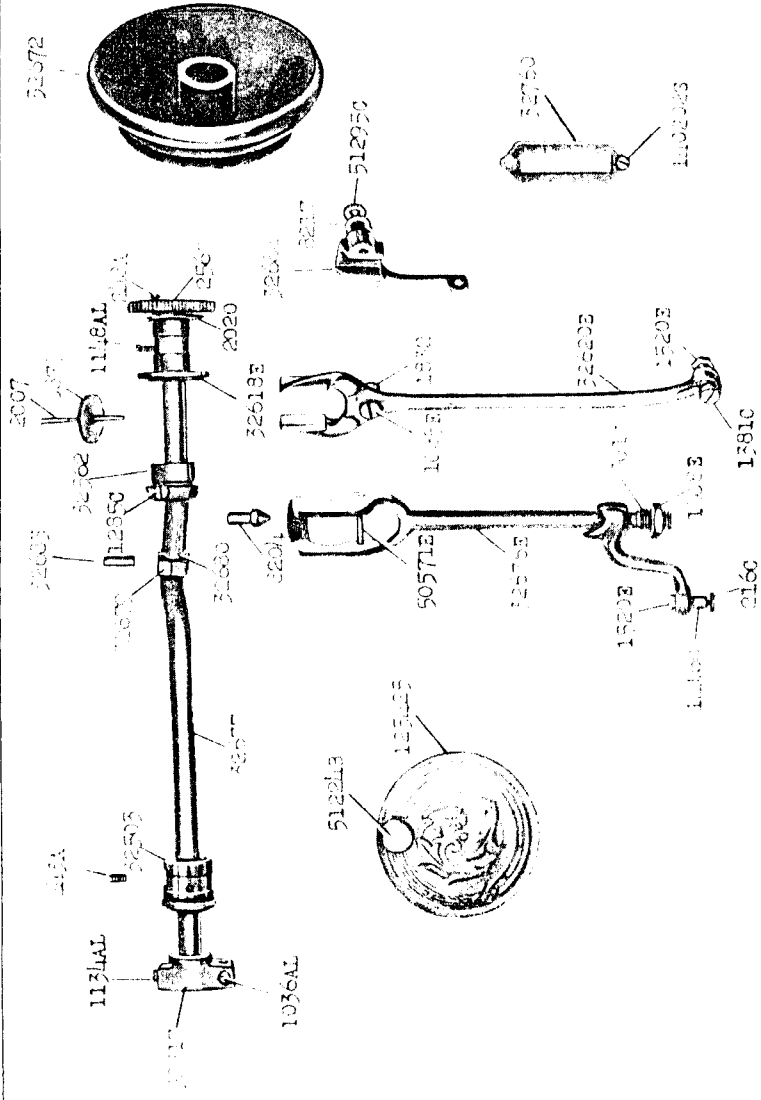
Genuine Singer Needles should be used
in Singer Machines.
These Needles and their Containers
are marked with the
Company's Trade Mark "SIMANCO." 1

Needles in Containers marked
"For Singer Machines"
are not Singer made needles. 2

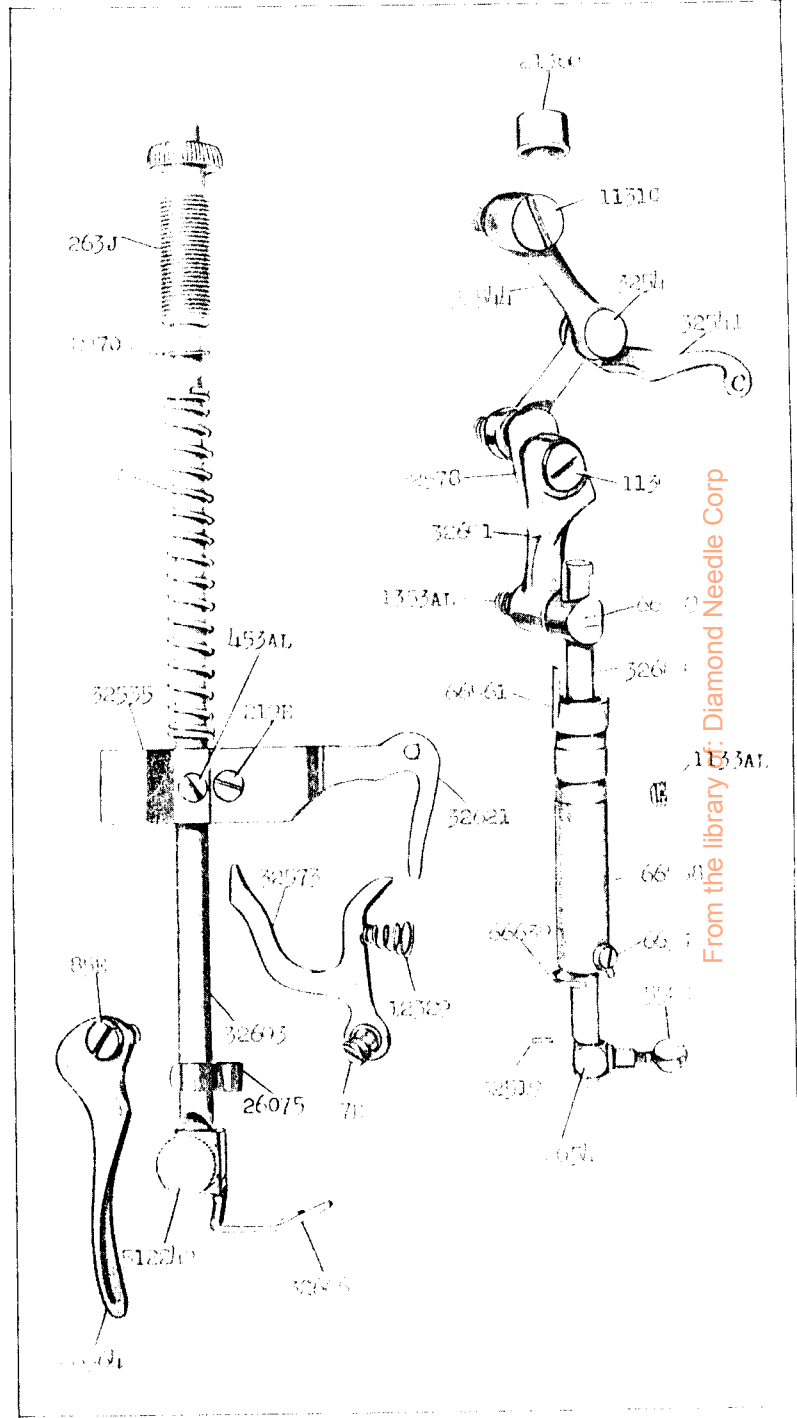
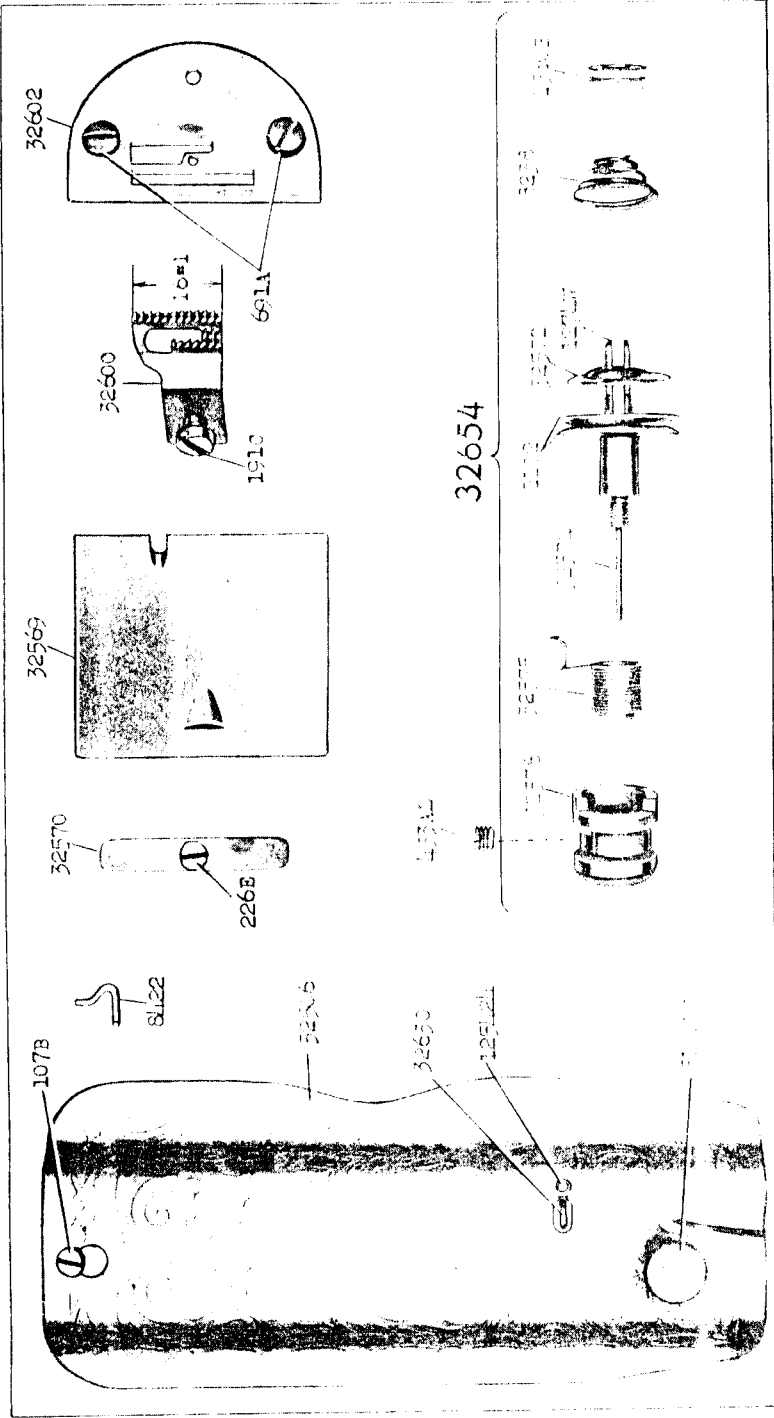
ILLUSTRATIONS OF PARTS



66-18, 66-24

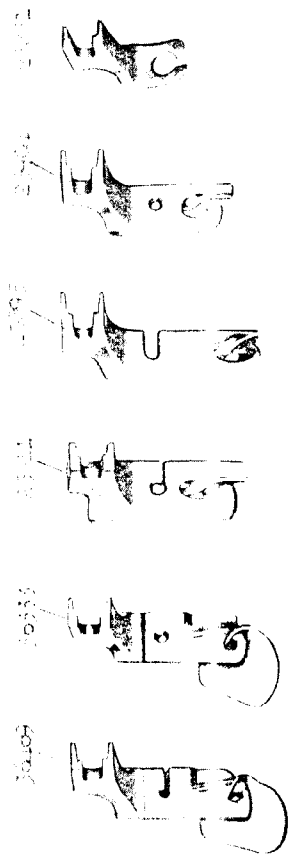
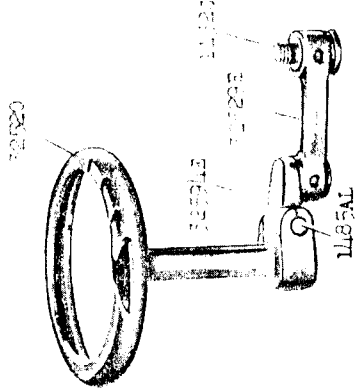
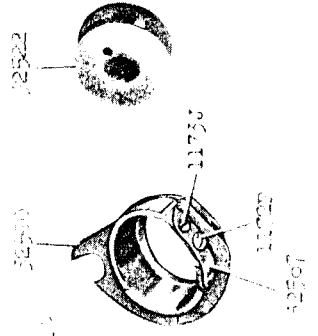
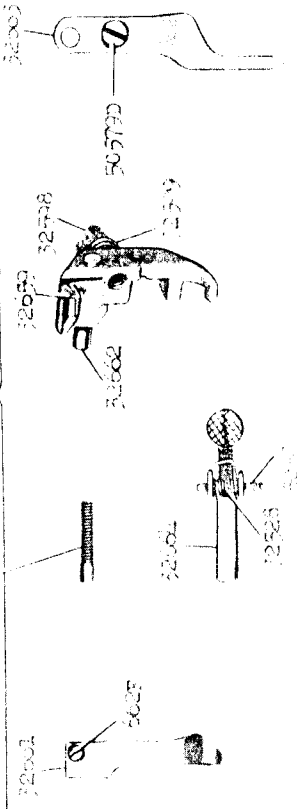


From the library of Ethicon Needle Corp



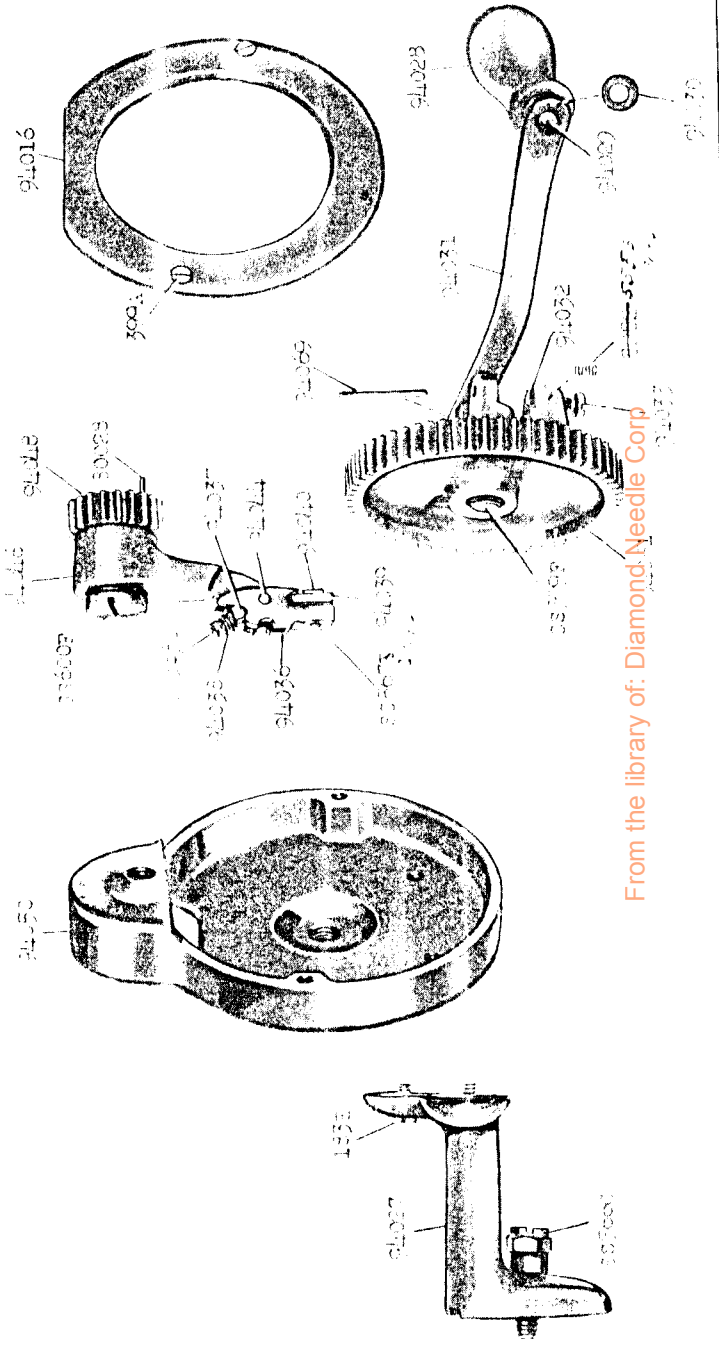
32660

32660



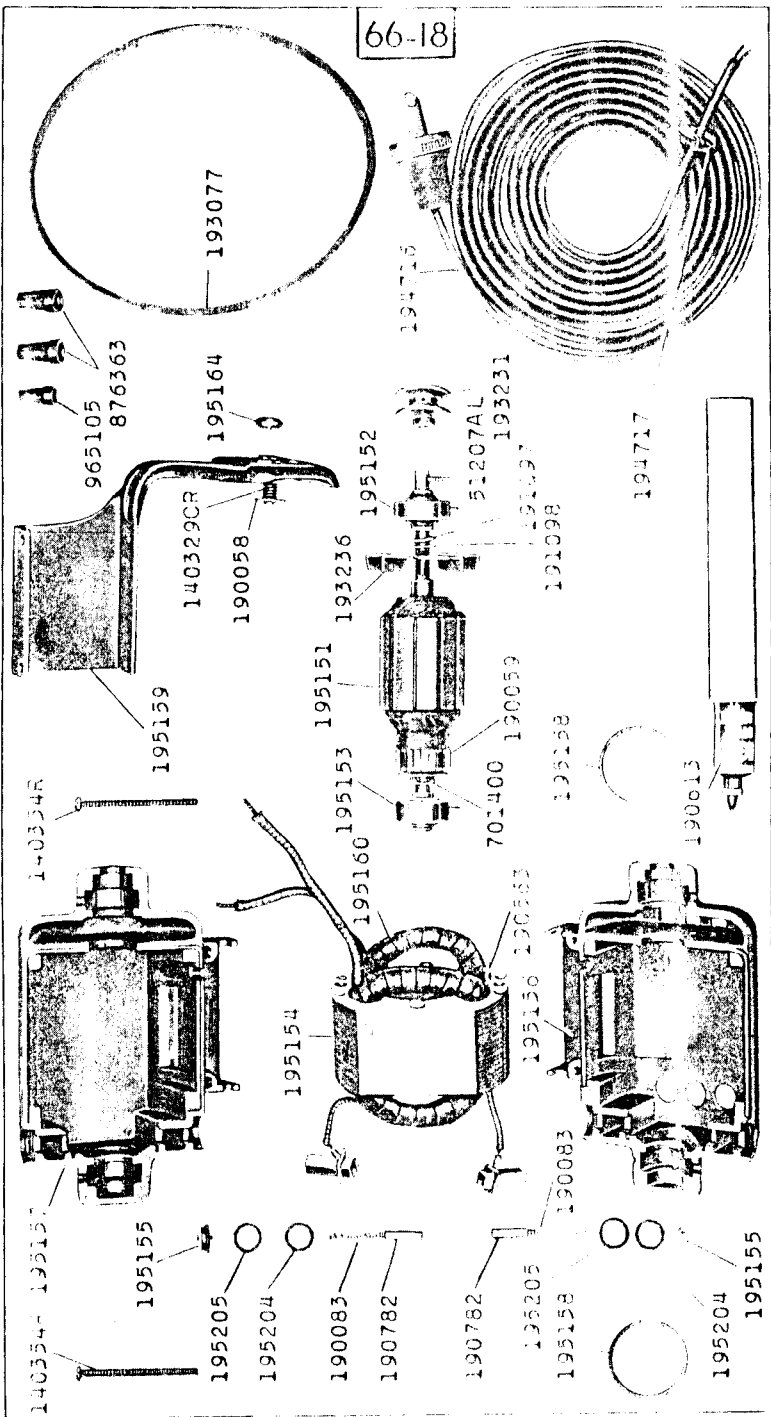
94052

66-15

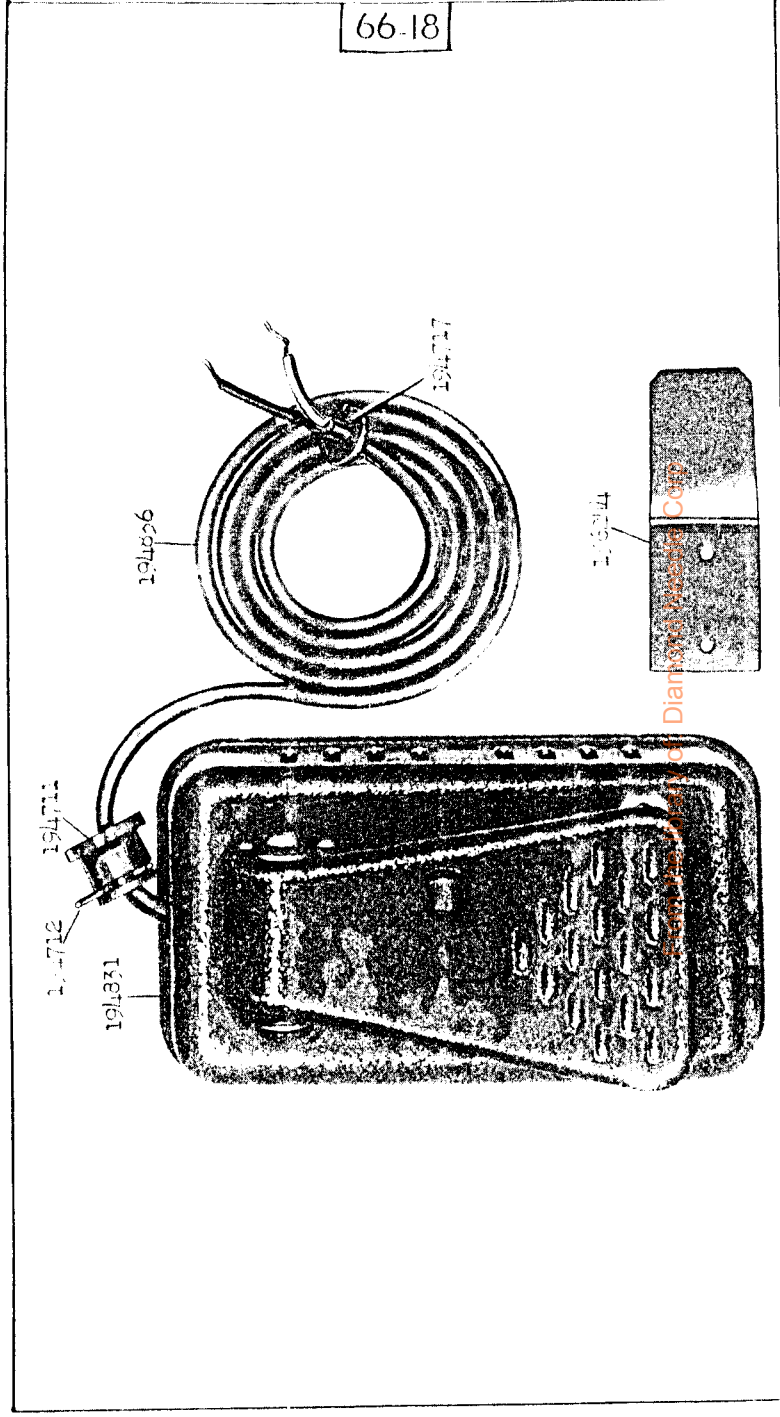


From the library of: Diamond Needle Corp

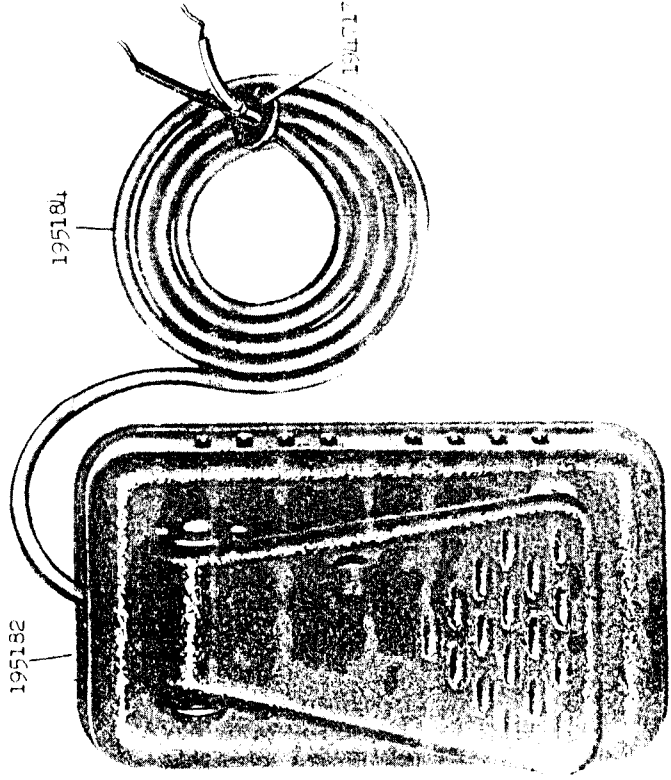
66-18



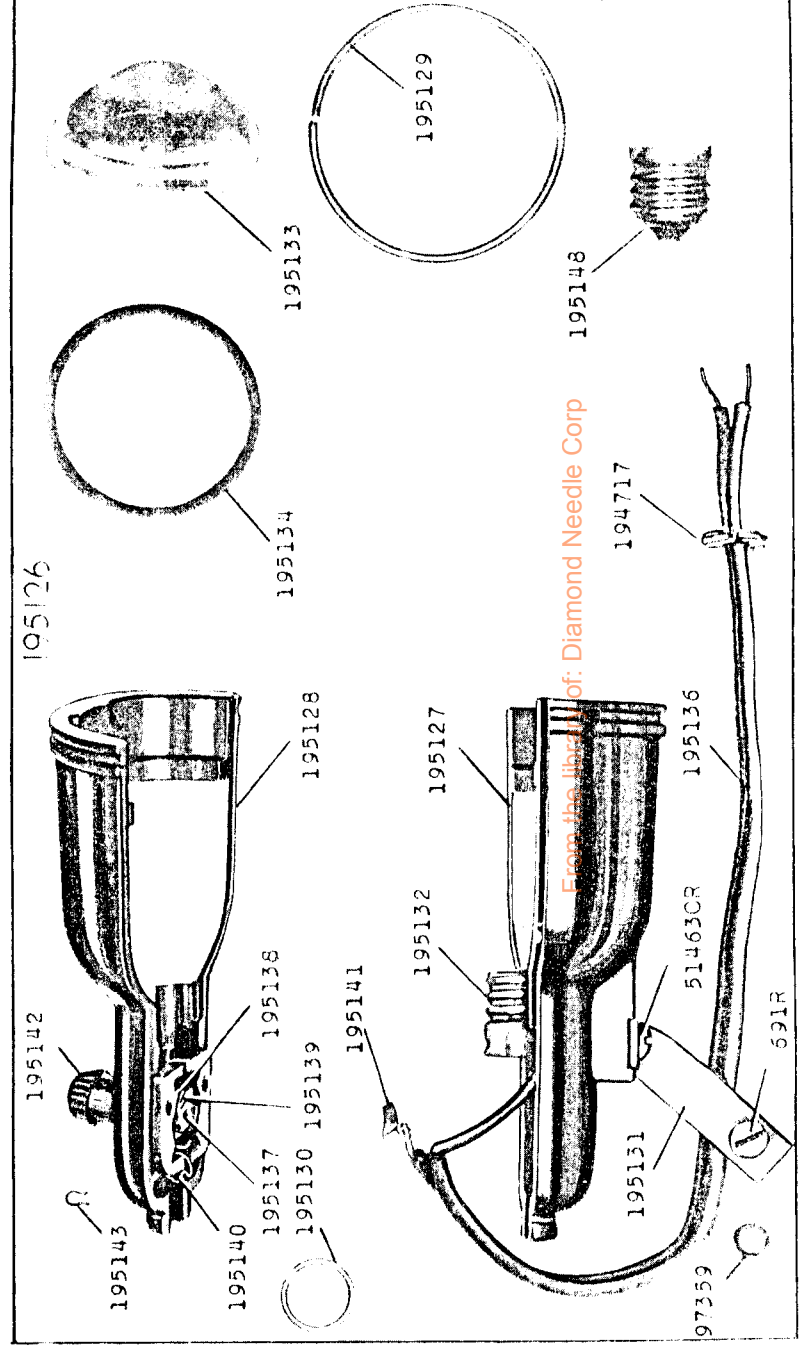
66-18

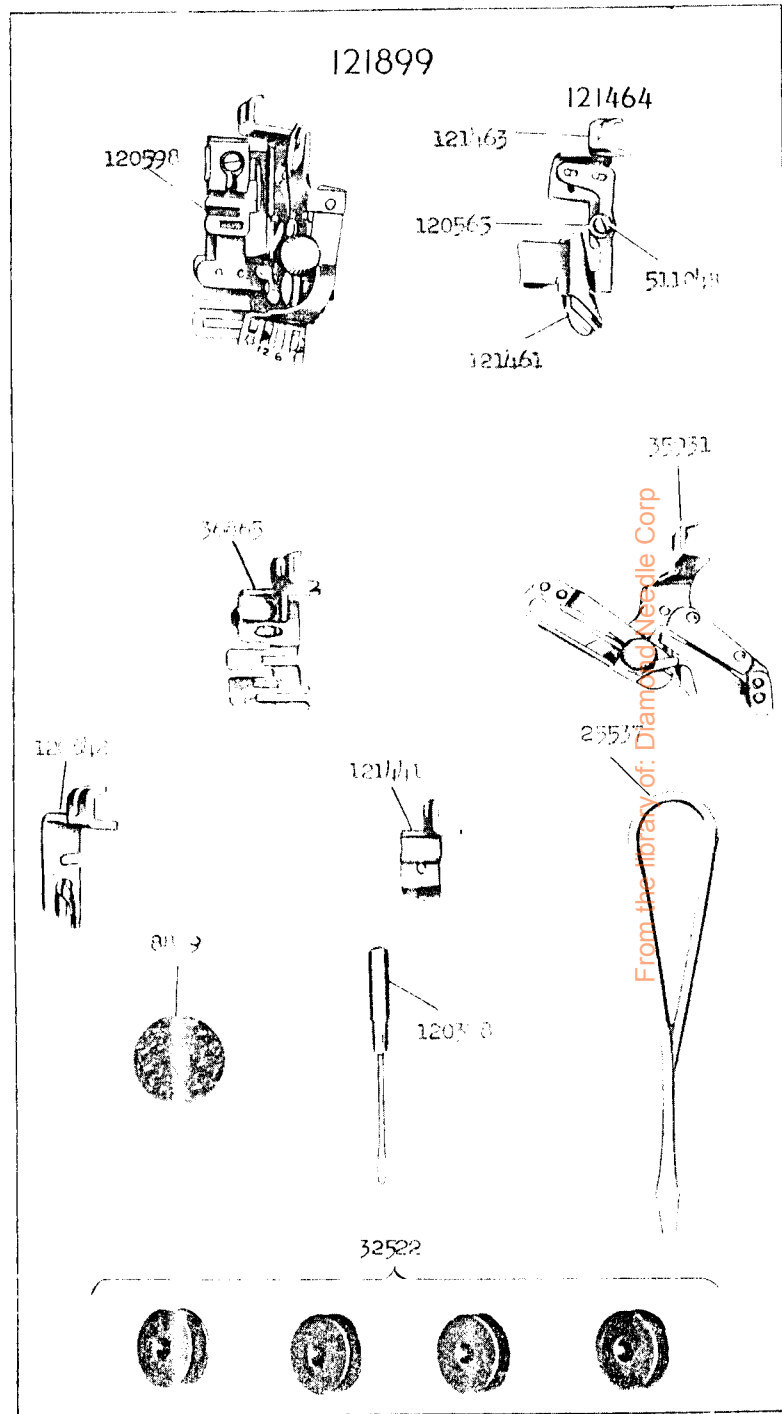
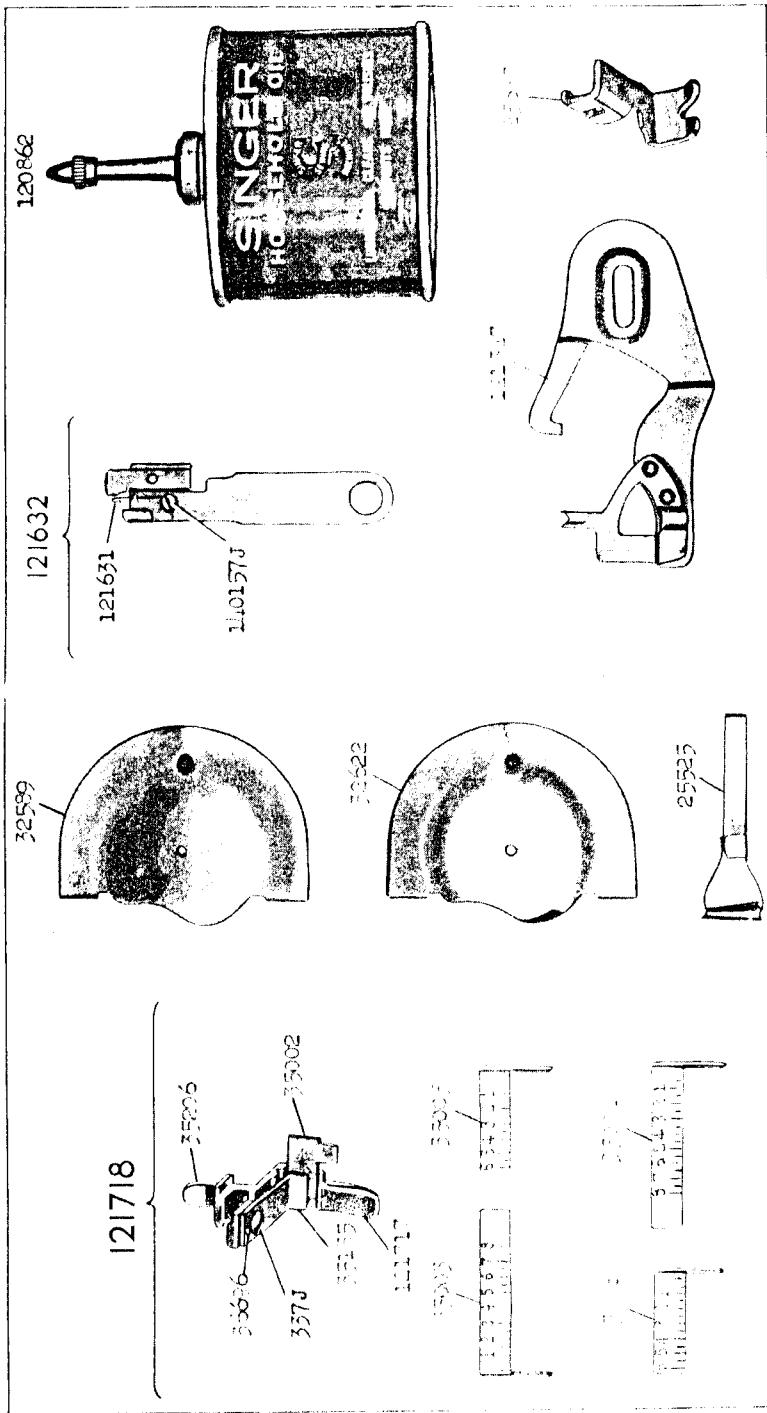


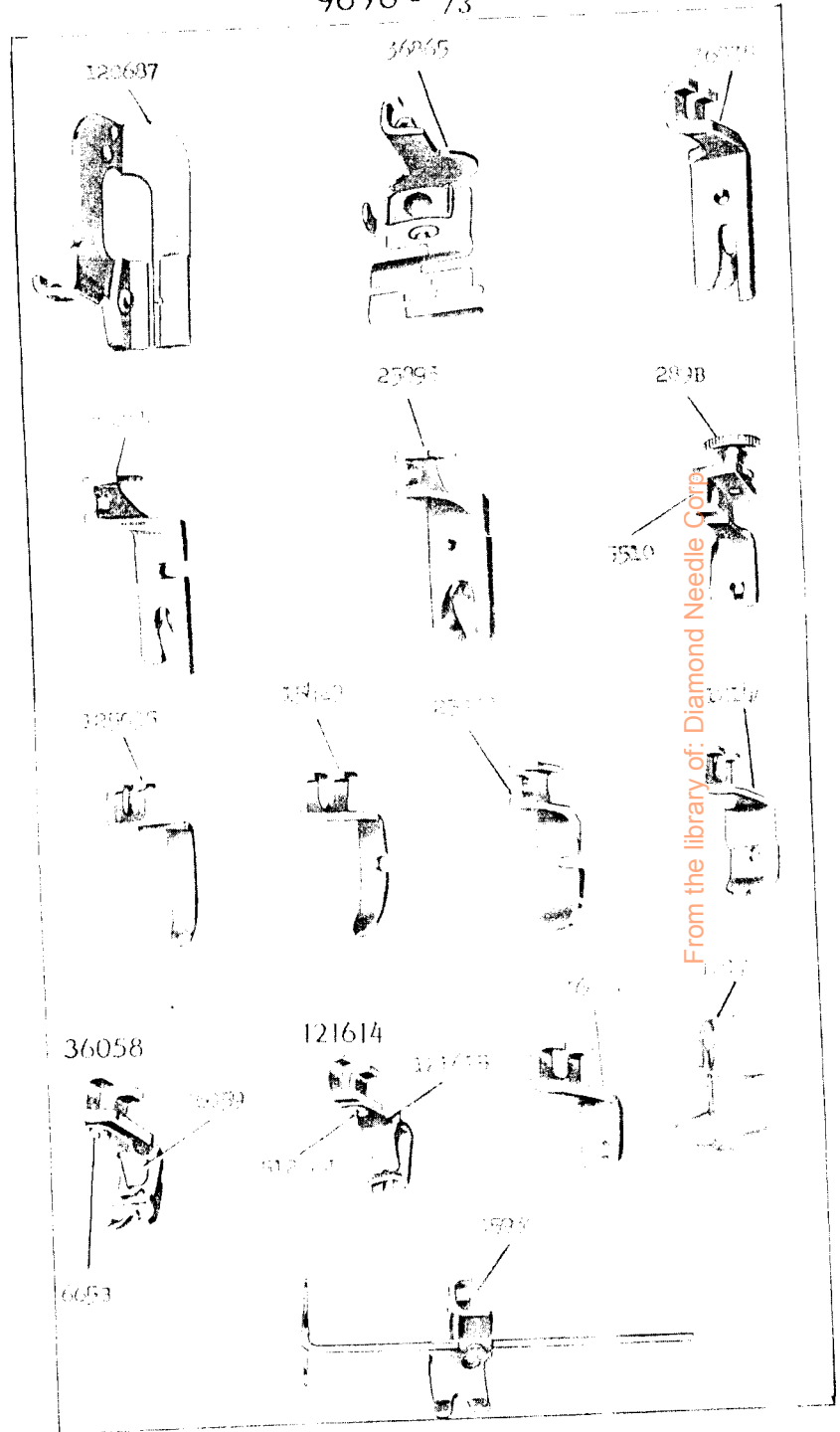
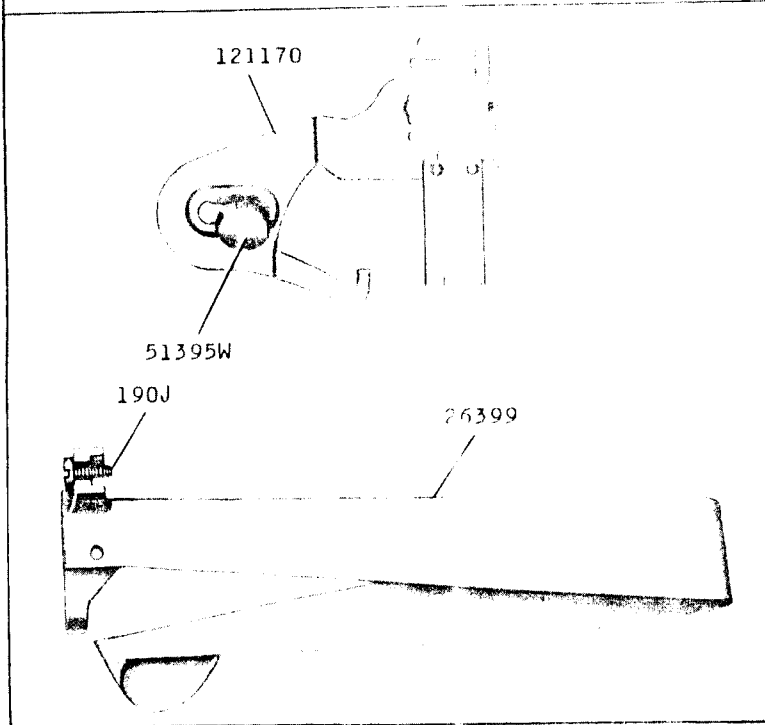
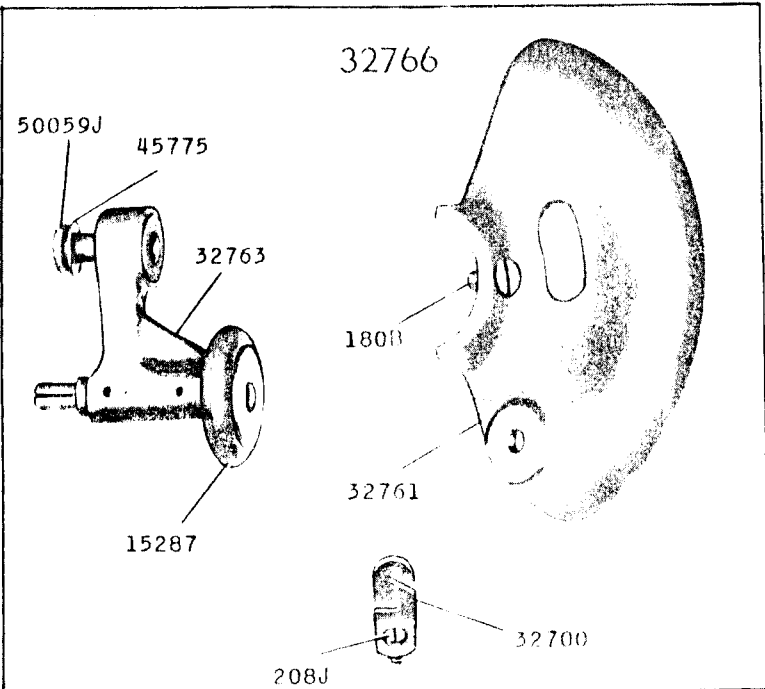
66-24



66-18, 66-24







From the library of: Diamond Needle Corp.